



常规金属叶片轴流风机
Conventional Carbon Steel Blade Axial Fan

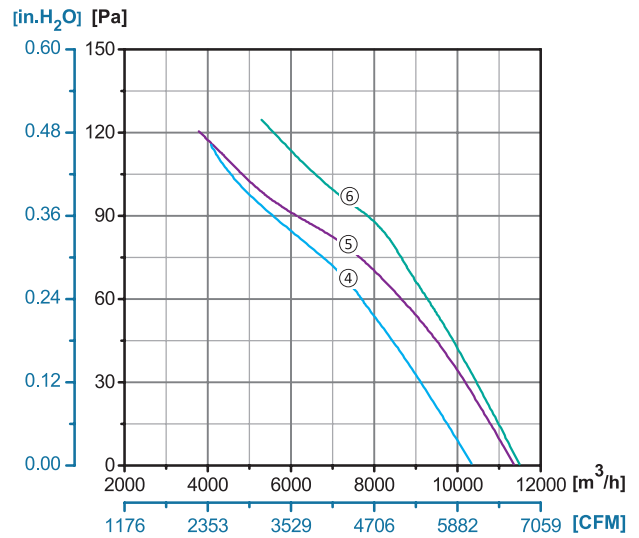
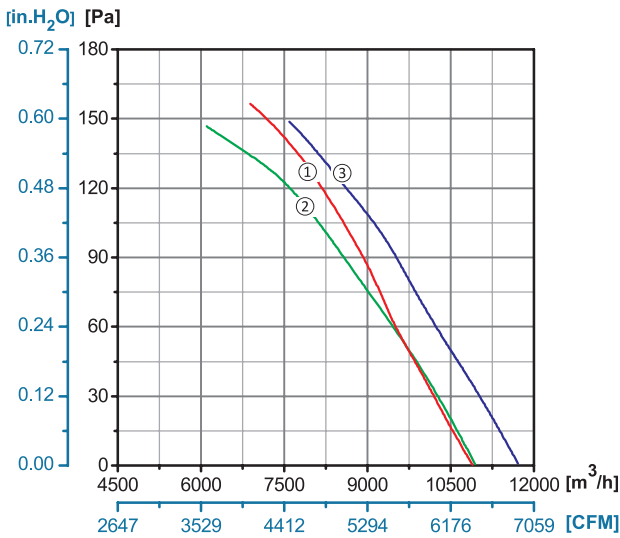
ErP2015
EXCEEDS THE NORM








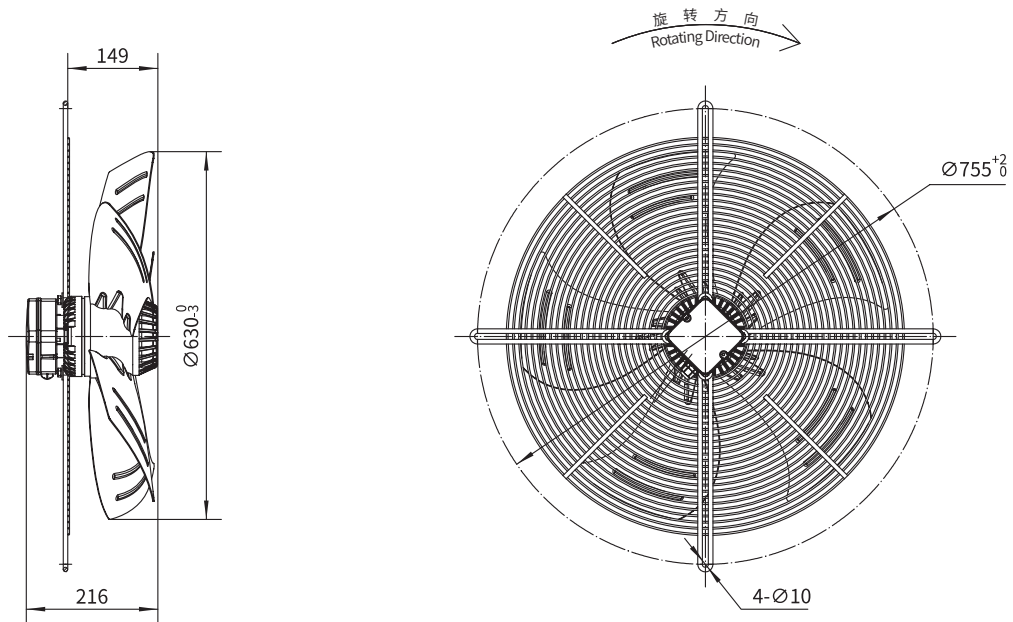
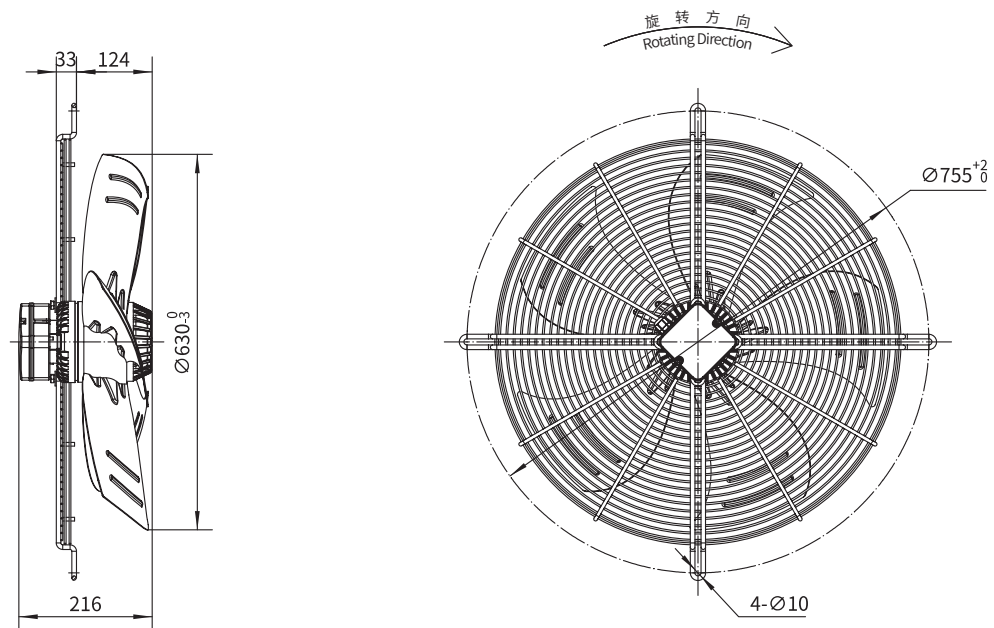
Φ630-L

转子材质 Rotor Material: 铸铝 Aluminum Die-casting
 叶轮材质 Impeller Material: 碳钢 Carbon Steel
 防护等级 Ingress Protection: IP54
 绝缘等级 Insulation Class: F
 轴承类型 Bearing Type: 免维护滚珠球轴承
 Maintenance Free Ball Bearing

性能曲线 Performance Curves



 Type B	 Type C	 Type D	 Type E	 Type F0
YWF.A4S-630S-5B A00	YWF.A4S-630S-5C A00	YWF.A4S-630S-5E A00	YWF.A4S-630S-5D A00	YWF.A4S-630S-5F A00
YWF.A4T-630S-5B A00	YWF.A4T-630S-5C A00	YWF.A4T-630S-5E A00	YWF.A4T-630S-5D A00	YWF.A4T-630S-5F A00
YWF.A6S-630S-5B A00	YWF.A6S-630S-5C A00	YWF.A6S-630S-5E A00	YWF.A6S-630S-5D A00	YWF.A6S-630S-5F A00
YWF.A6T-630S-5B A00	YWF.A6T-630S-5C A00	YWF.A6T-630S-5E A00	YWF.A6T-630S-5D A00	YWF.A6T-630S-5F A00

B 型网罩 Type B

C 型网罩 Type C


	电压 Voltage	频率 Frequency	电流 Current	功率 Power	转速 Speed	电容 Capacitor	风量 Air Flow (0 Pa)	噪音 Noise	曲线 Curve	运行温度 Working Temp.	认证 Approvals
Type F1	V	Hz	A	W	RPM	μF	$[\text{m}^3/\text{h}]/[\text{CFM}]$	dB(A)	No.	Min/Max($^{\circ}\text{C}$)	
YWF.A4S-630S-5F A01	220/230	50	3.70	800	1350	16	10940/6435	74	②	-30/+60	CCC, CE
	220/230	60	5.34	1150	1500	16	10890/6406	75	①	-30/+60	CCC, CE, UL
YWF.A4T-630S-5F A01	380/400	50	1.60	850	1350	/	10890/6406	73	①	-30/+60	CCC, CE
	380/400	60	1.80	1010	1540	/	11700/6882	75	③	-30/+60	CCC, CE, UL
YWF.A6S-630S-5F A01	220/230	50	2.50	520	900	12	10330/6076	67	④	-30/+60	CCC, CE
	220/230	60	3.25	705	1050	12	11360/6682	71	⑤	-30/+60	CCC, CE, UL
YWF.A6T-630S-5F A01	380/400	50	1.40	550	900	/	10330/6076	67	④	-30/+60	CCC, CE
	380/400	60	1.56	740	1060	/	11500/6765	69	⑥	-30/+60	CCC, CE, UL

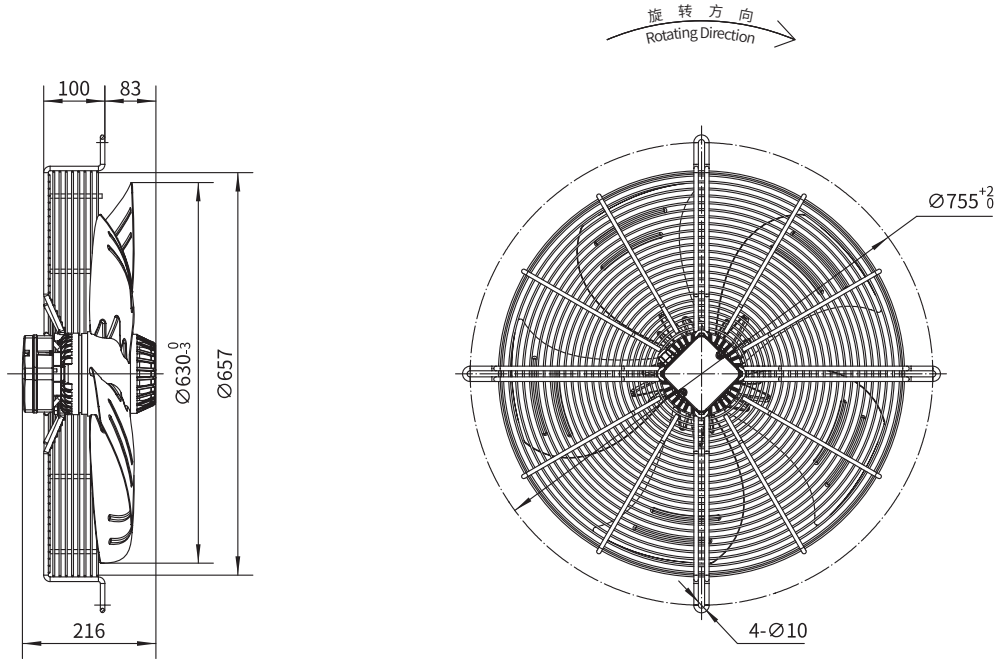




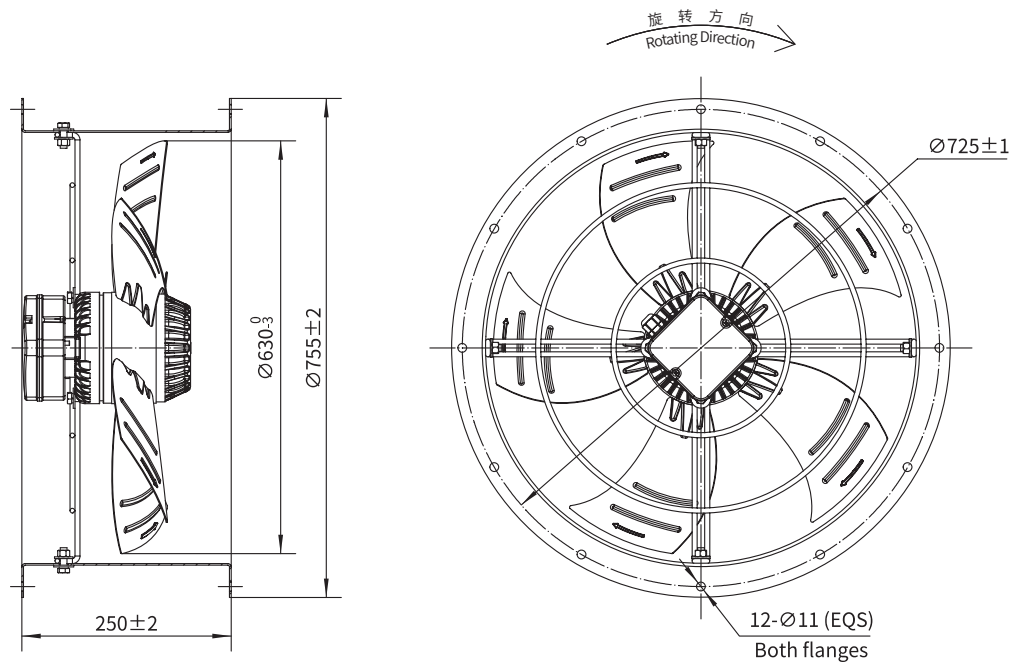
常规金属叶片轴流风机
Conventional Carbon Steel Blade Axial Fan

Φ630-L

D 型网罩 Type D



E 型导风筒 Type E

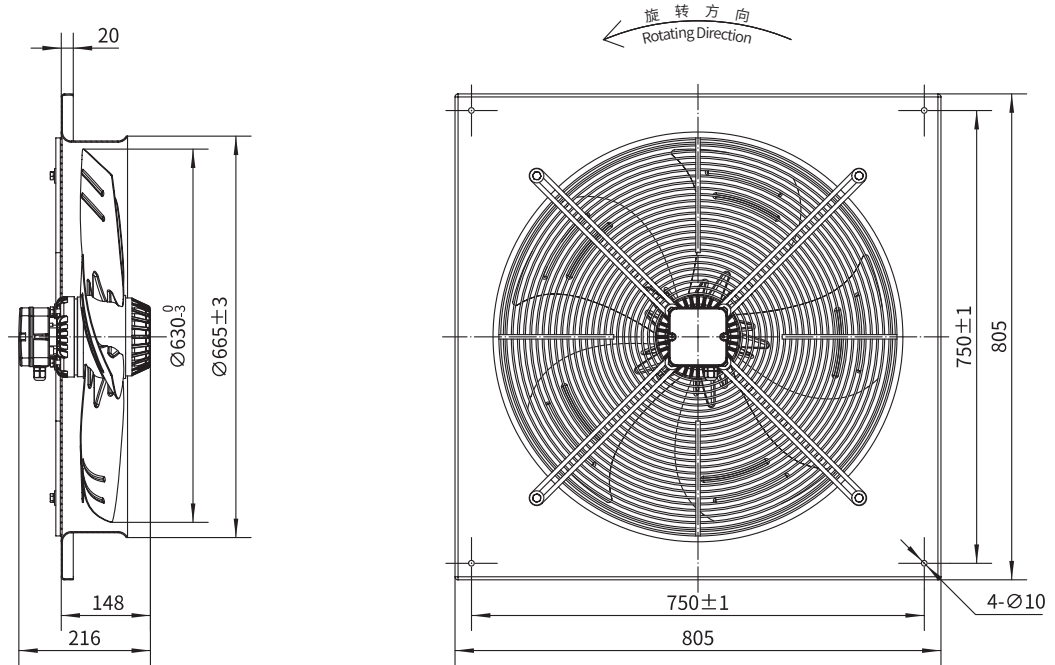




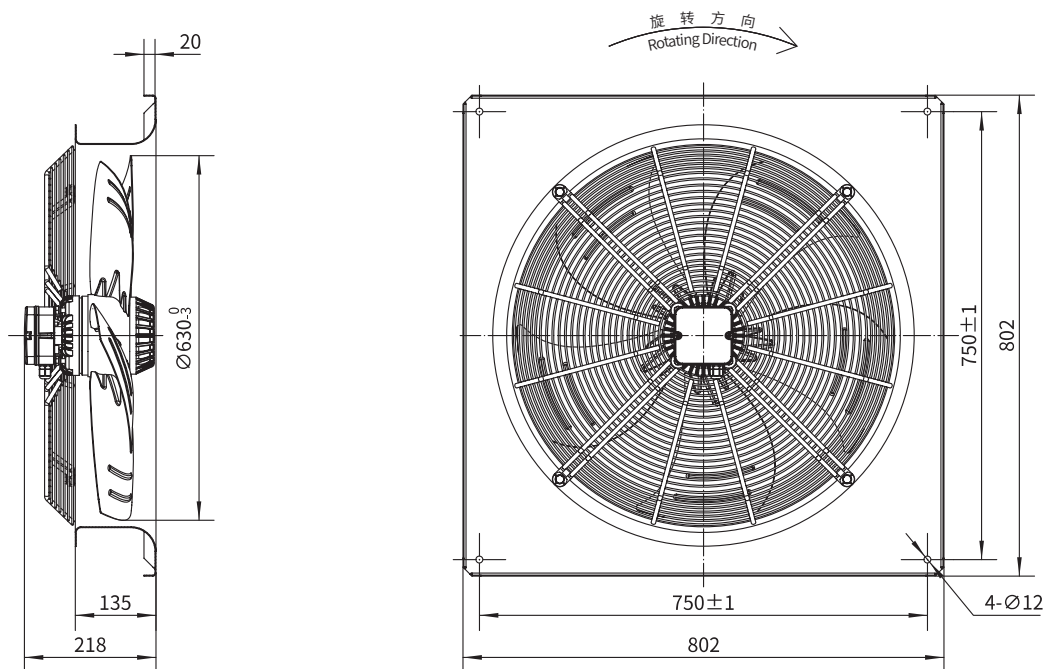
常规金属叶片轴流风机
Conventional Carbon Steel Blade Axial Fan

Φ630-L

F0 型面板 Type F0



F1 型面板 Type F1



常规金属叶片轴流风机
Conv. Steel Blade Axial

