

**机翼形塑料叶片轴流风机**  
**Plastic Airfoil Blade Axial Fan**

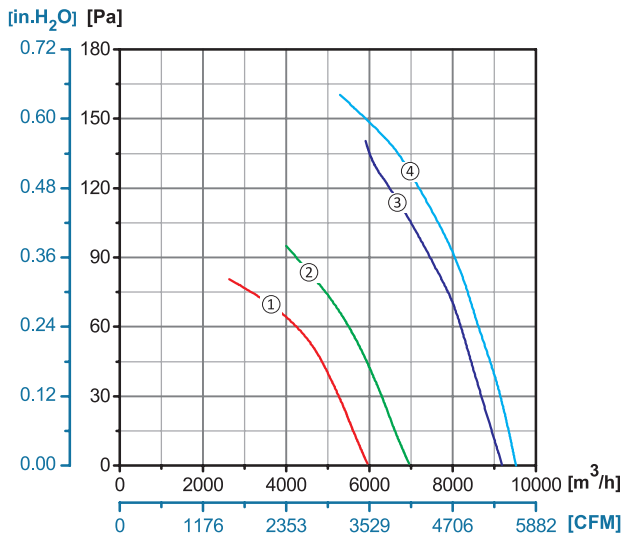
**ErP2015**  
EXCEEDS THE NORM








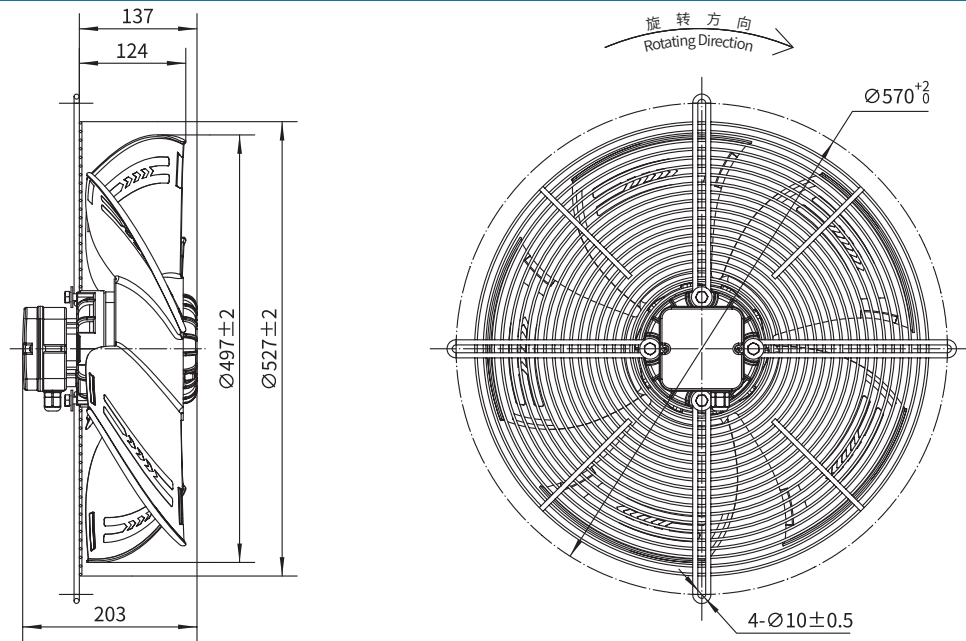
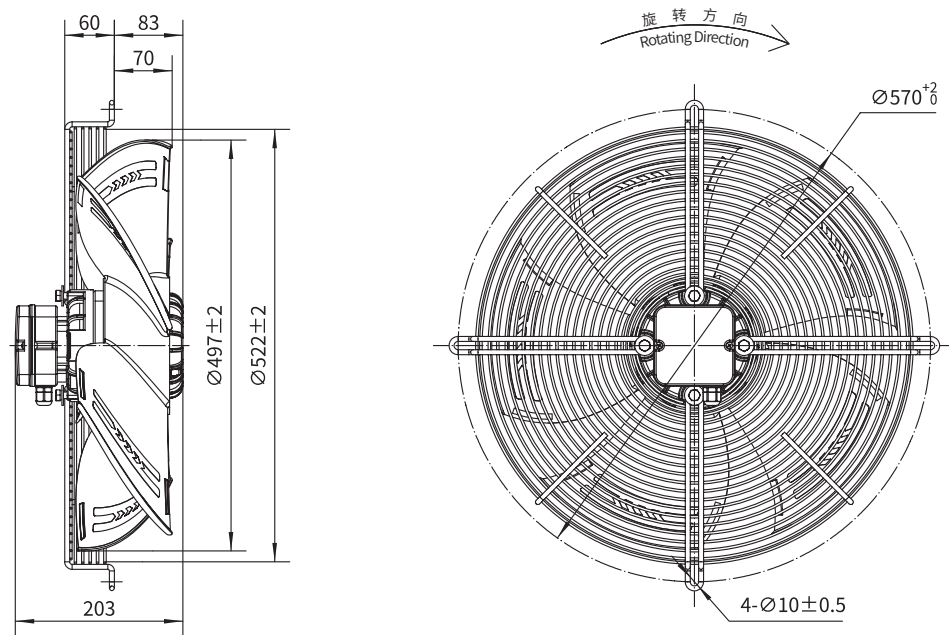
**Φ500**


转子材质 Rotor Material: 铸铝 Aluminum Die-casting  
 叶轮材质 Impeller Material: 塑料 Plastic  
 防护等级 Ingress Protection: IP54  
 绝缘等级 Insulation Class: F  
 轴承类型 Bearing Type: 免维护滚珠球轴承  
 Maintenance Free Ball Bearing

**性能曲线 Performance Curves**



				
Type B	Type C	Type D	Type E	Type F0
YWF.A4S-500S-5B   AP1	YWF.A4S-500S-5C   AP1	YWF.A4S-500S-5D   AP1	YWF.A4S-500S-5E   AP1	/
YWF.A4T-500S-5B   AP0	YWF.A4T-500S-5C   AP0	YWF.A4T-500S-5D   AP0	YWF.A4T-500S-5E   AP0	/
YWF.A4T-500S-5B   AP1	YWF.A4T-500S-5C   AP1	YWF.A4T-500S-5D   AP1	YWF.A4T-500S-5E   AP1	/
YWF.A6S-500S-5B   AP0	YWF.A6S-500S-5C   AP0	YWF.A6S-500S-5D   AP0	YWF.A6S-500S-5E   AP0	/
YWF.A6T-500S-5B   AP0	YWF.A6T-500S-5C   AP0	YWF.A6T-500S-5D   AP0	YWF.A6T-500S-5E   AP0	/

**B 型网罩 Type B**

**C 型网罩 Type C**


	电压 Voltage	频率 Frequency	电流 Current	功率 Power	转速 Speed	电容 Capacitor	风量 Air Flow (0 Pa)	噪音 Noise	曲线 Curve	运行温度 Working Temp.	认证 Approvals
Type F1	V	Hz	A	W	RPM	$\mu\text{F}$	$[\text{m}^3/\text{h}]/[\text{CFM}]$	dB(A)	No.	Min/Max( $^{\circ}\text{C}$ )	
YWF.A4S-500S-5F   AP1	380/400	50	3.26	700	1400	16	9520/5410	74	④	-30/+60	CCC, CE
YWF.A4T-500S-5F   AP0	380/400	50	1.27	620	1340	/	9190/5410	73	③	-30/+60	CCC, CE
YWF.A4T-500S-5F   AP1	380/400	50	1.39	650	1390	/	6000/3530	71	③	-30/+60	CCC, CE
YWF.A6S-500S-5F   AP0	220/230	50	1.23	265	900	10	7000/4120	69	①	-30/+60	CCC, CE
	220/230	60	1.60	360	10000	10	5950/3500	63	①	-30/+60	CCC, CE
YWF.A6T-500S-5F   AP0	380/400	50	0.99	280	940	/	6950/4090	66	②	-30/+60	CCC, CE
	380/400	60	0.89	360	1090	/					

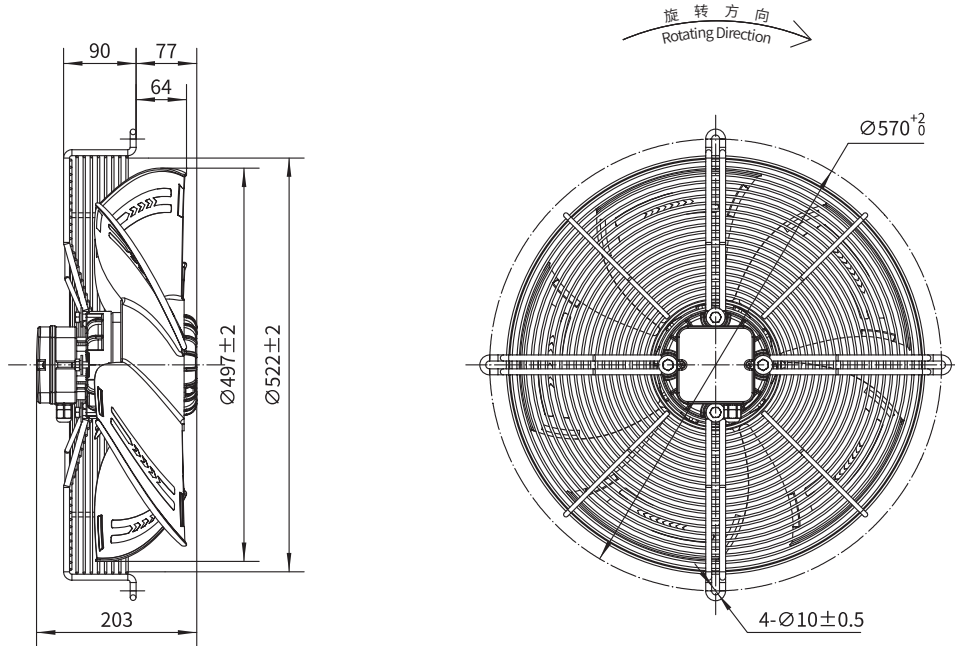




机翼形塑料叶片轴流风机  
Plastic Airfoil Blade Axial Fan

Φ500

D 型网罩 Type D





机翼形塑料叶片轴流风机  
Plastic Airfoil Blade Axial Fan

Φ500

F0 型面板 Type F0

