

机翼形塑料叶片轴流风机
Plastic Airfoil Blade Axial Fan

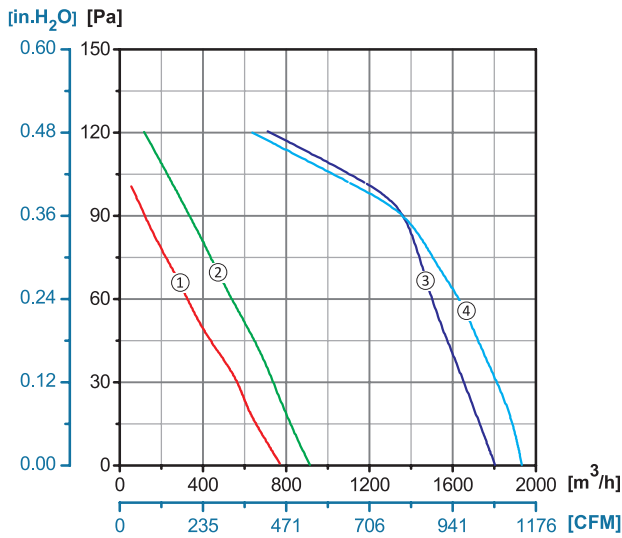
ErP2015
EXCEEDS THE NORM








Φ 250

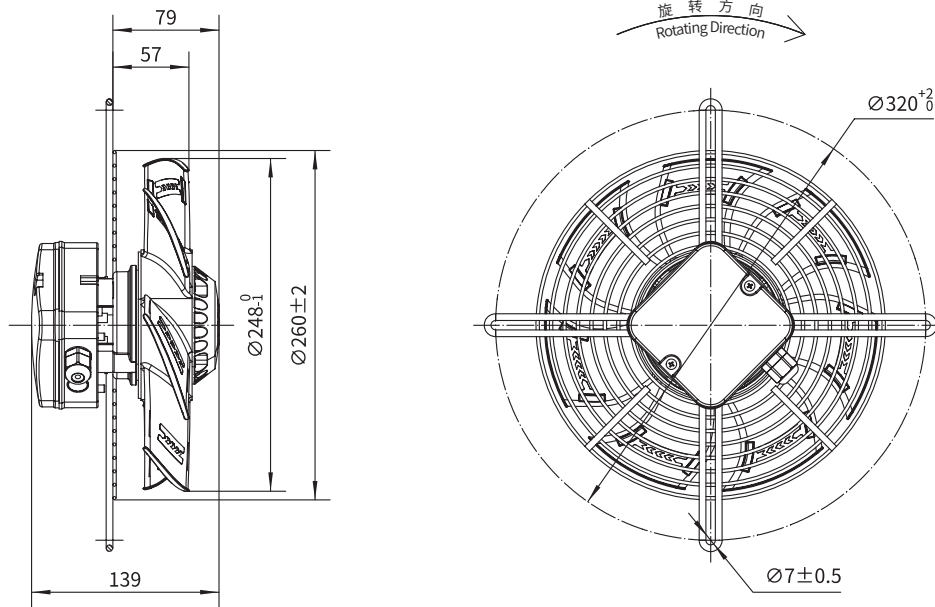
转子材质 Rotor Material: 铸铝 Aluminum Die-casting
 叶轮材质 Impeller Material: 塑料 Plastic
 防护等级 Ingress Protection: IP44
 绝缘等级 Insulation Class: F
 轴承类型 Bearing Type: 免维护滚珠球轴承
 Maintenance Free Ball Bearing

性能曲线 Performance Curves

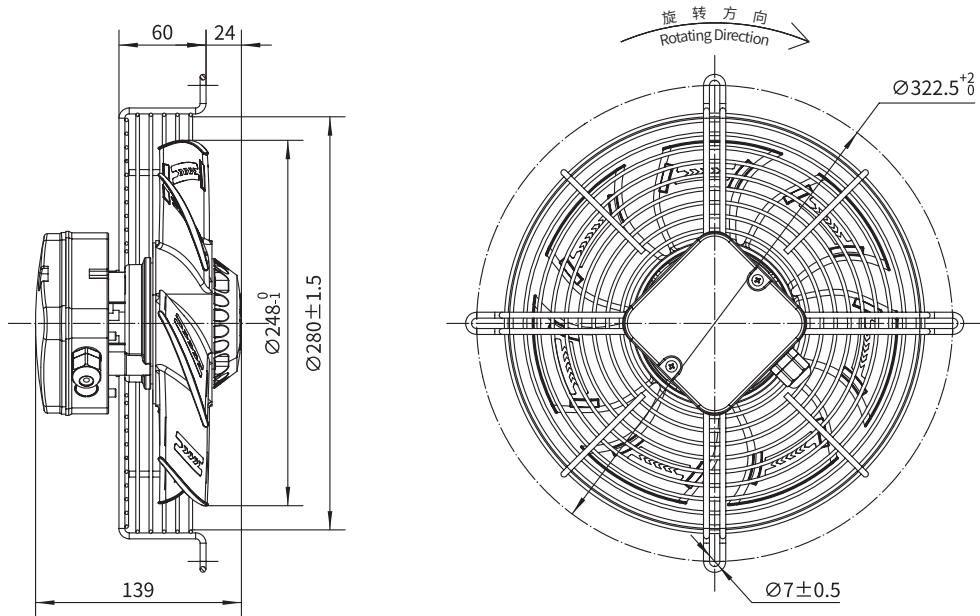


				
Type B	Type C	Type D	Type E	Type F0
YWF.A2S-250S-7B AP0	YWF.A2S-250S-7C AP0	YWF.A2S-250S-7D AP0	YWF.A2S-250S-7E AP0	YWF.A2S-250S-7F AP0
YWF.A4S-250S-7B AP0	YWF.A4S-250S-7C AP0	YWF.A4S-250S-7D AP0	YWF.A4S-250S-7E AP0	YWF.A4S-250S-7F AP0

B 型网罩 Type B



C 型网罩 Type C



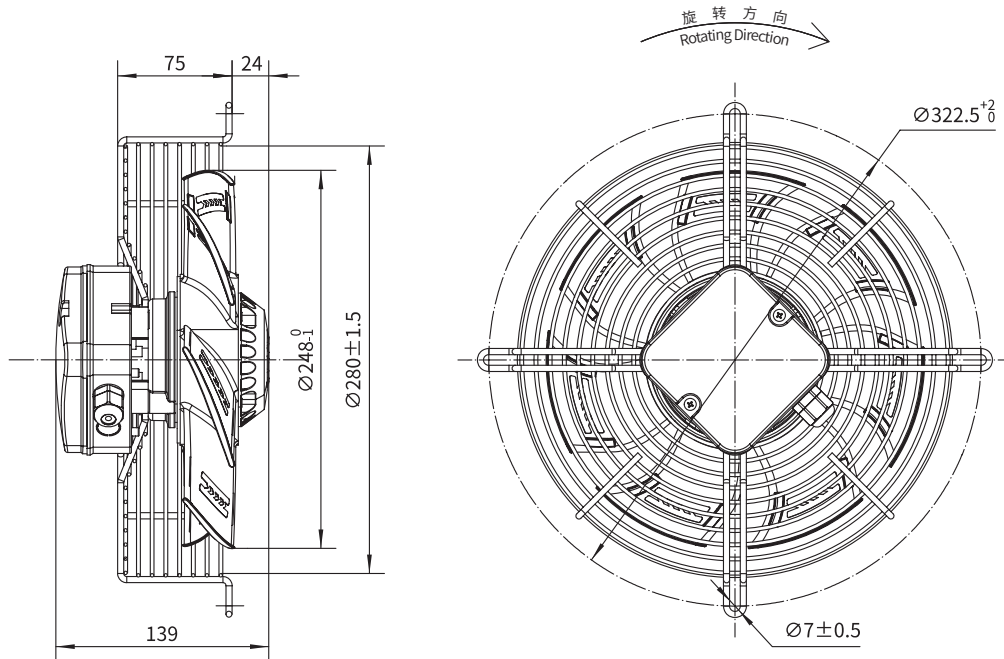
	电压 Voltage	频率 Frequency	电流 Current	功率 Power	转速 Speed	电容 Capacitor	风量 Air Flow (0 Pa)	噪音 Noise	曲线 Curve	运行温度 Working Temp.	认证 Approvals
Type F1	V	Hz	A	W	RPM	μF	[m³/h]/[CFM]	dB(A)	No.	Min/Max(°C)	
/	220/230	50	0.55	125	2590	4	1800/1060	76	③	-30/+60	CCC, CE
/	220/230	60	0.70	160	2850	4	1930/1135	79	④	-30/+60	CCC, CE
/	220/230	50	0.28	55	1420	2	770/455	49	①	-30/+60	CCC, CE
/	220/230	60	0.25	57	1680	2	910/535	55	②	-30/+60	CCC, CE



机翼形塑料叶片轴流风机
Plastic Airfoil Blade Axial Fan

Φ 250

D 型网罩 Type D





机翼形塑料叶片轴流风机
Plastic Airfoil Blade Axial Fan

Φ 250

F0 型面板 Type F0

