

EC 常规金属叶片轴流风机  
EC Conventional Carbon Steel Blade Axial Fan

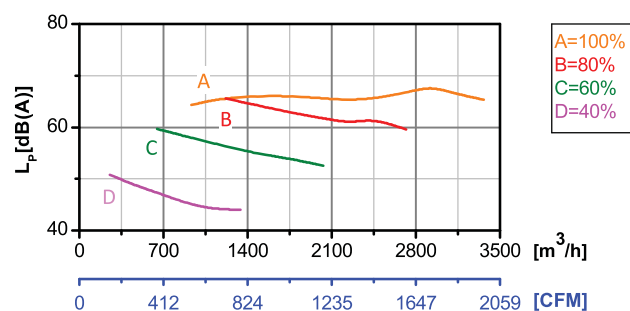
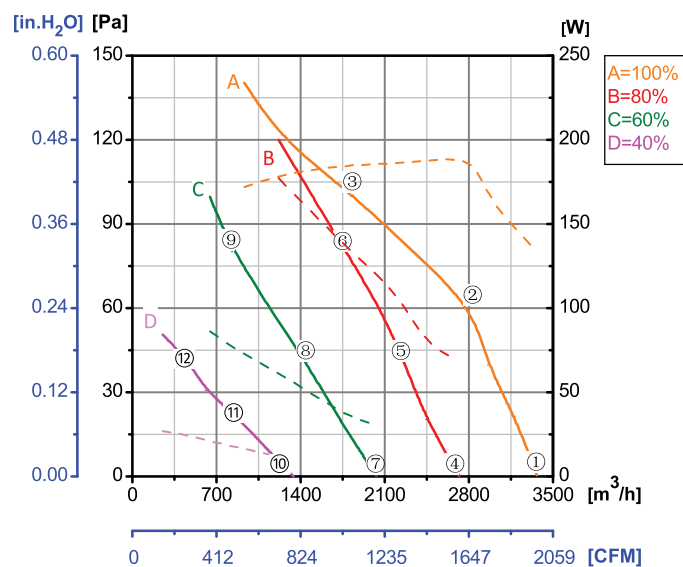
ErP2015  
EXCEEDS THE NORM



Φ 350

转子材质 Rotor Material: 碳钢 Carbon steel  
风叶材质 Blade Material: 碳钢 Carbon steel  
防护等级 Ingress Protection: IP44  
绝缘等级 Insulation Class: F  
轴承类型 Bearing Type: 免维护滚珠轴承  
Maintenance free ball bearing

性能曲线 Performance Curves

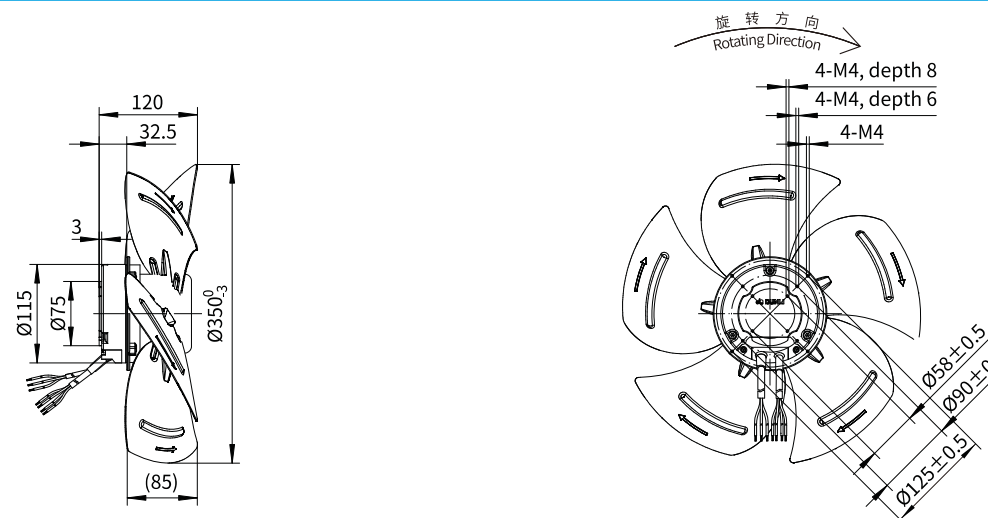


测试节点 Test Point	转速 Speed rpm	输入功率 Input Power W
1	1705	134
2	1707	192
3	1489	185
4	1364	69
5	1367	102
6	1366	136
7	1023	30
8	1026	52
9	1025	76
10	681	11
11	689	17
12	682	25

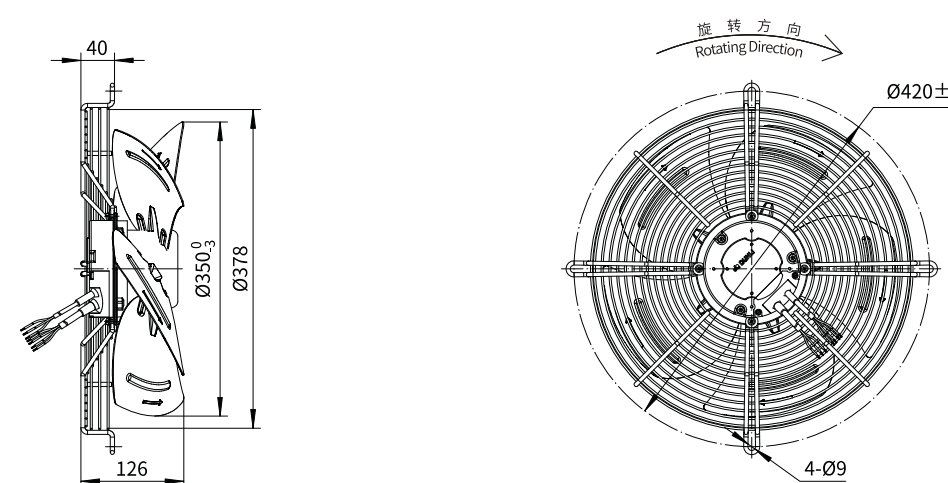
Erp2015 Data:  
Efficiency  $\eta_{statA}$  = 31.8%  
Efficiency grade  $N_{actual}$  = 42.8,  $N_{target}$  = 40  
Test report No. : L-20210302-004-021

产品型号 Model No.	电压 Voltage VAC	频率 Frequency Hz	转速 Speed RPM	输入功率 Input Power W	电流 Current A	运行温度 Working Temp. Min/Max (°C)	认证 Approvals
EC92-A350-032	1~220/230	50/60	1750	180	1.25	-20/+60	CCC,CE,UL

风机本体 Type A



D 型网罩 Type D



F 型面板 Type F

