

EC 常规金属叶片轴流风机
EC Conventional Carbon Steel Blade Axial Fan

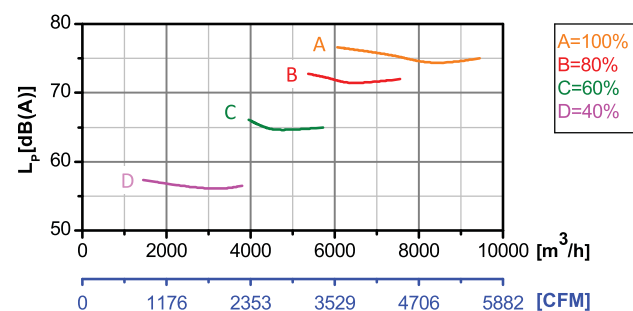
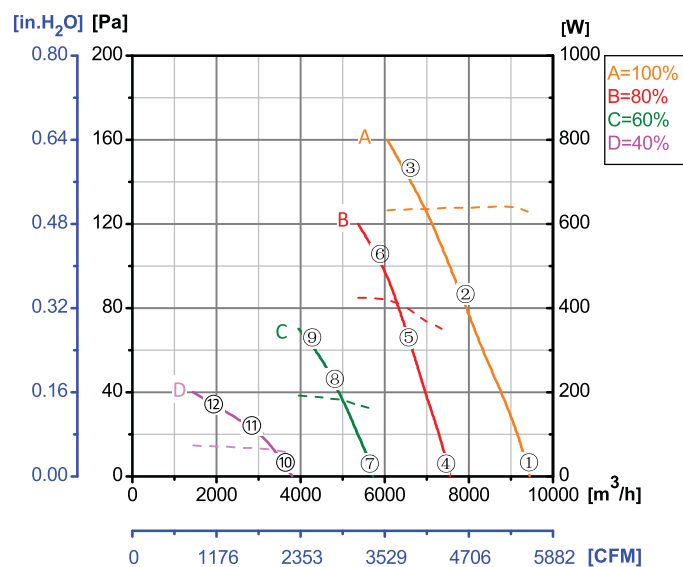
ErP2015
EXCEEDS THE NORM



Φ 500

转子材质 Rotor Material: 碳钢 Carbon steel
风叶材质 Blade Material: 碳钢 Carbon steel
防护等级 Ingress Protection: IP54
绝缘等级 Insulation Class: F
轴承类型 Bearing Type: 免维护滚珠球轴承
Maintenance free ball bearing

性能曲线 Performance Curves

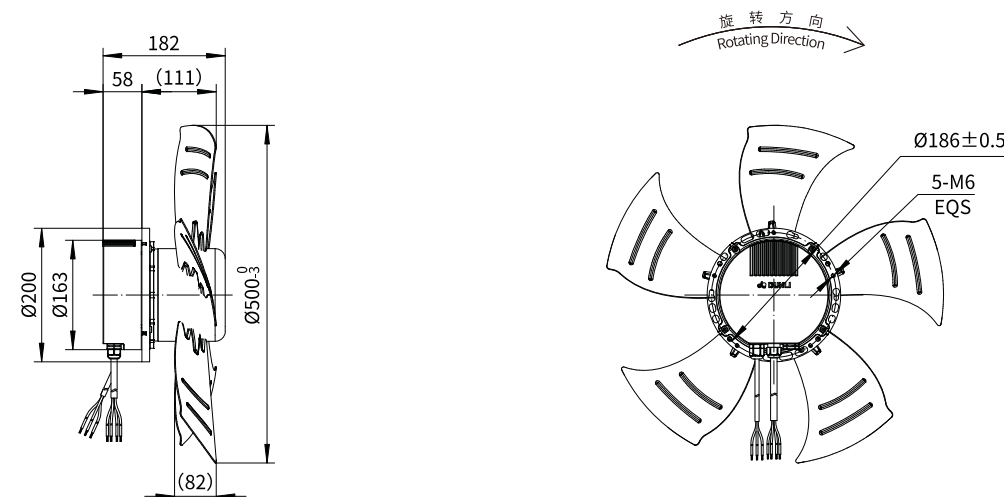


测试节点 Test Point	转速 Speed rpm	输入功率 Input Power W
1	1672	626
2	1598	638
3	1550	635
4	1346	328
5	1343	393
6	1344	423
7	1007	154
8	1007	182
9	1010	190
10	677	57
11	675	66
12	677	65

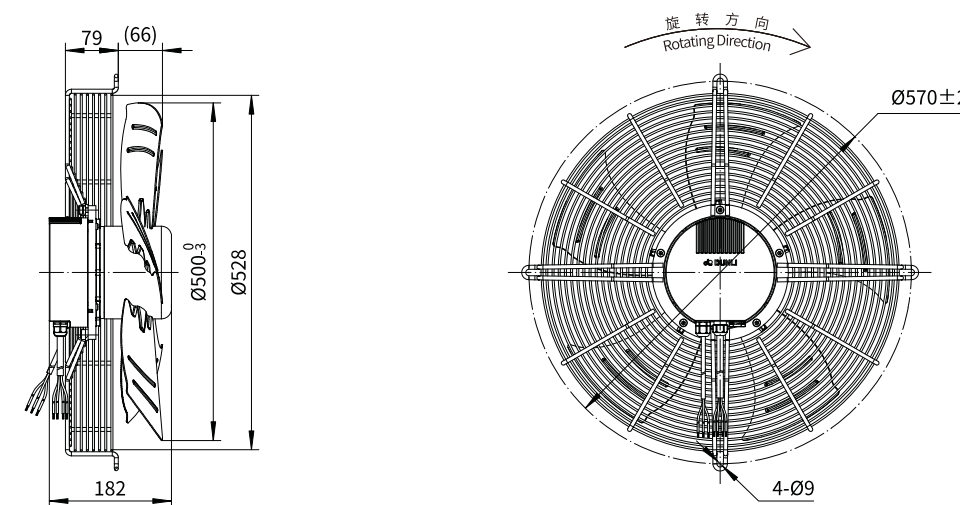
Erp2015 Data:
Efficiency η_{statA} = 46.9%
Efficiency grade N_{actual} = 54.5, N_{target} = 40
Test report No. : L-20210302-004-056

产品型号 Model No.	电压 Voltage VAC	频率 Frequency Hz	转速 Speed RPM	输入功率 Input Power W	电流 Current A	运行温度 Working Temp. Min/Max (°C)	认证 Approvals
EC137-A500-003	1~220/230	50/60	1670	700	4.20	-20/+60	CCC,CE

风机本体 Type A



D 型网罩 Type D



F 型面板 Type F

