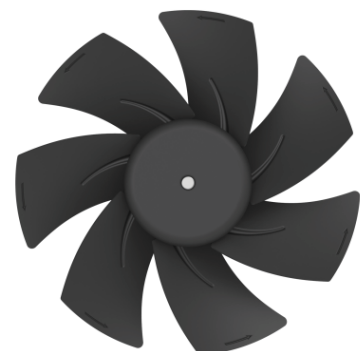


EC 常规金属叶片轴流风机  
EC Conventional Carbon Steel Blade Axial Fan

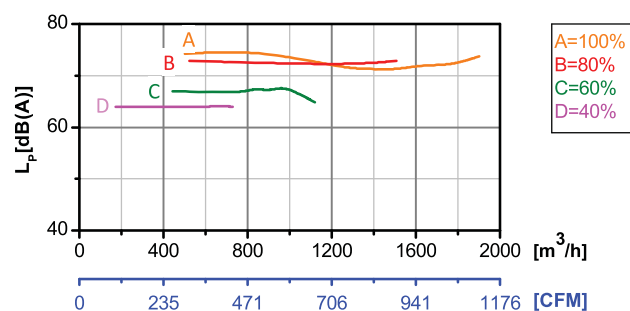
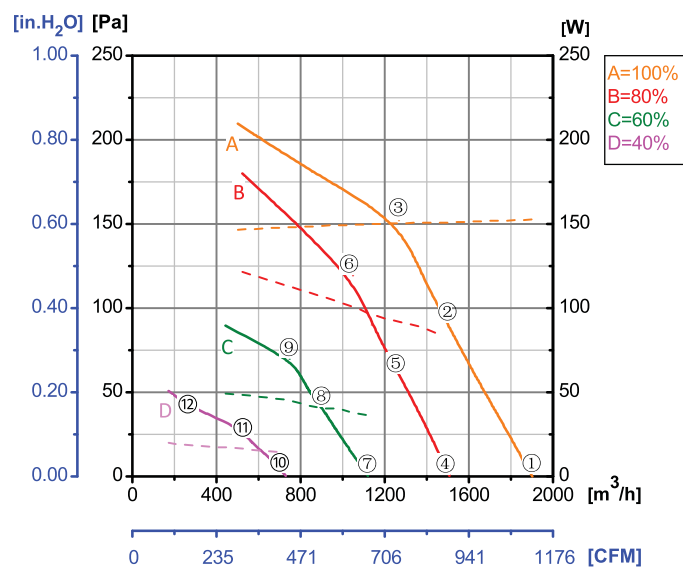
ErP2015  
EXCEEDS THE NORM



Φ 250

转子材质 Rotor Material: 碳钢 Carbon steel  
风叶材质 Blade Material: 碳钢 Carbon steel  
防护等级 Ingress Protection: IP44  
绝缘等级 Insulation Class: F  
轴承类型 Bearing Type: 免维护滚珠球轴承  
Maintenance free ball bearing

性能曲线 Performance Curves

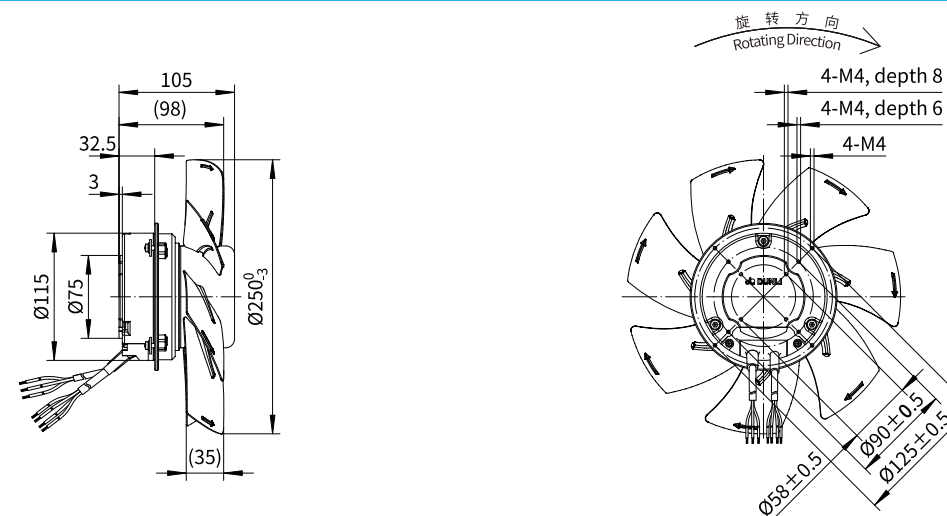


测试节点 Test Point	转速 Speed rpm	输入功率 Input Power W
1	2913	153
2	2786	151
3	2730	150
4	2332	81
5	2335	92
6	2335	101
7	1744	36
8	1741	40
9	1746	46
10	1163	14
11	1165	16
12	1164	18

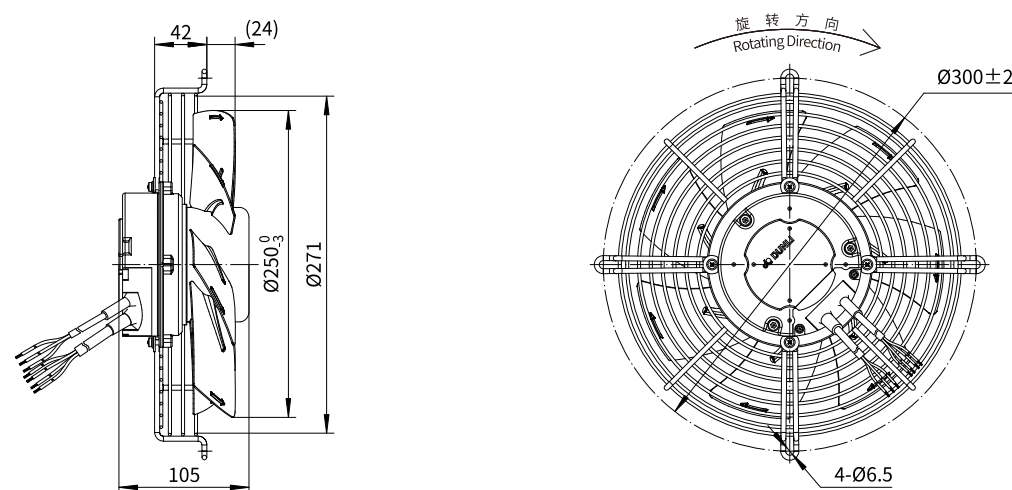
Erp2015 Data:  
Efficiency  $\eta_{statA}$  = 40.8%  
Efficiency grade  $N_{actual}$  = 52.3,  $N_{target}$  = 40  
Test report No. : L-20210302-004-019

产品型号 Model No.	电压 Voltage VAC	频率 Frequency Hz	转速 Speed RPM	输入功率 Input Power W	电流 Current A	运行温度 Working Temp. Min/Max (°C)	认证 Approvals
EC92-A250-031	1~220/230	50/60	3050	165	1.27	-20/+60	CCC,CE,UL

风机本体 Type A



C型网罩 Type C



F型面板 Type F

