

DC 常规金属叶片轴流风机  
DC Conventional Carbon Steel Blade Axial Fan

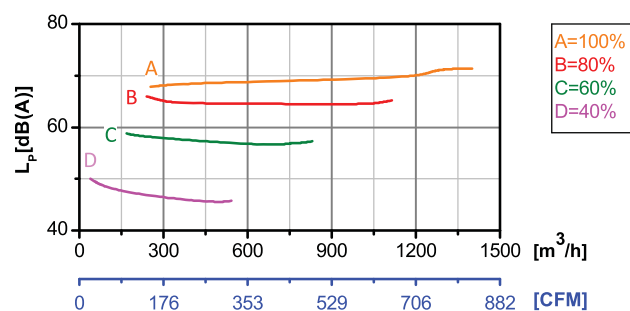
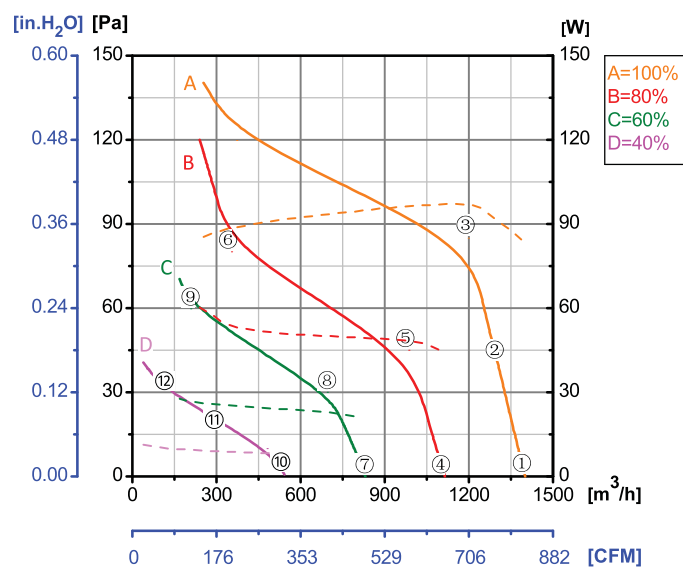
ErP2015  
EXCEEDS THE NORM



Φ 200

转子材质 Rotor Material: 碳钢 Carbon steel  
风叶材质 Blade Material: 碳钢 Carbon steel  
防护等级 Ingress Protection: IP42  
绝缘等级 Insulation Class: F  
轴承类型 Bearing Type: 免维护滚珠轴承  
Maintenance free ball bearing

性能曲线 Performance Curves

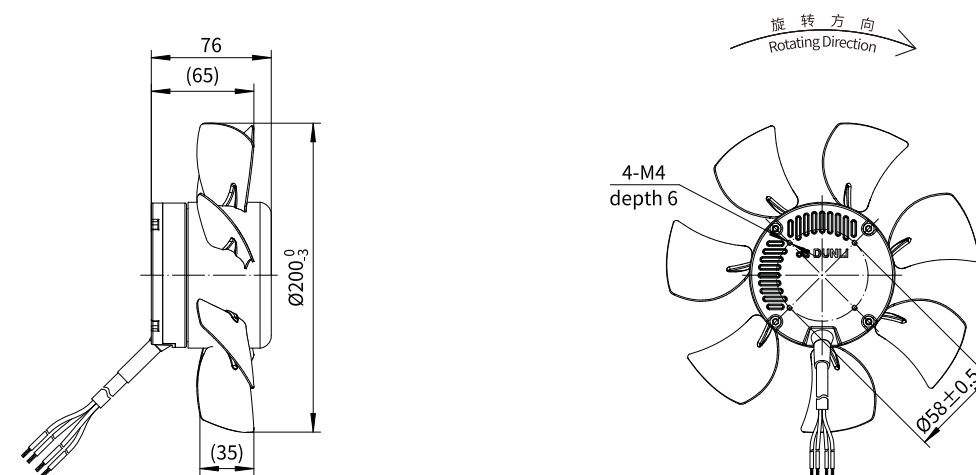


测试节点 Test Point	转速 Speed rpm	输入功率 Input Power W
1	3193	83
2	3193	90
3	3171	98
4	2555	44
5	2551	49
6	2546	51
7	1917	21
8	1917	23
9	1913	26
10	1279	8
11	1278	9
12	1278	11

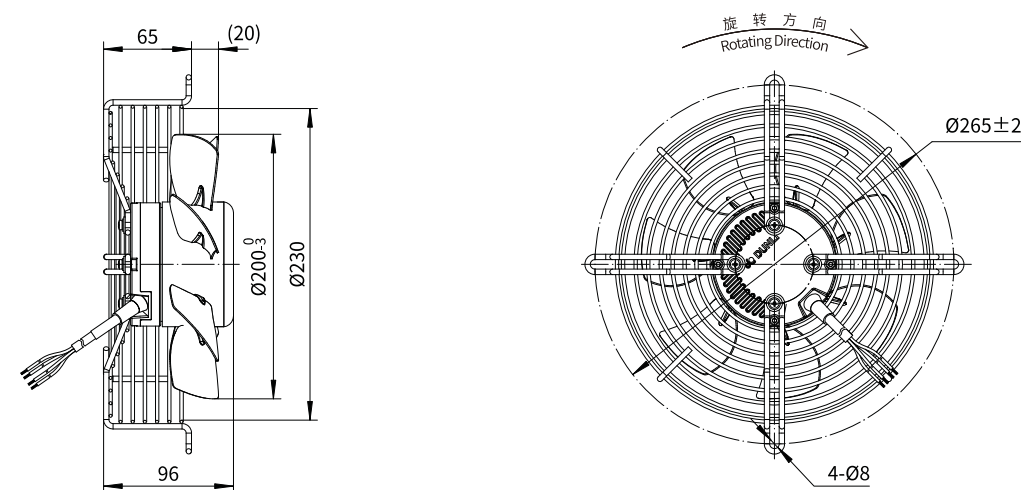
Erp2015 Data:  
Efficiency  $\eta_{statA}$  = 30.7%,  $\leq 125W$   
Efficiency grade  $N_{actual} = *, N_{target} = 40$   
Test report No. : L-20210302-004-073

产品型号 Model No.	电压 Voltage	频率 Frequency	转速 Speed	输入功率 Input Power	电流 Current	运行温度 Working Temp.	认证 Approvals
	VDC	Hz	RPM	W	A	Min/Max (°C)	
DC92-A200-040	24	/	3100	95	3.96	-20/+60	CE
DC92-A200-C40	48	/	3100	95	1.98	-20/+60	CCC,CE
DC92-A200-D40	310	/	3100	95	0.31	-20/+60	CCC,CE

风机本体 Type A



D 型网罩 Type D



F 型面板 Type F

