



**常规金属叶片轴流风机**  
**Conventional Carbon Steel Blade Axial Fan**

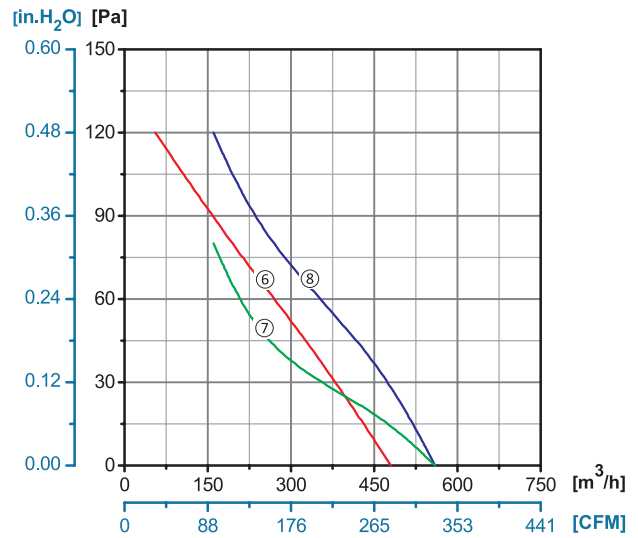
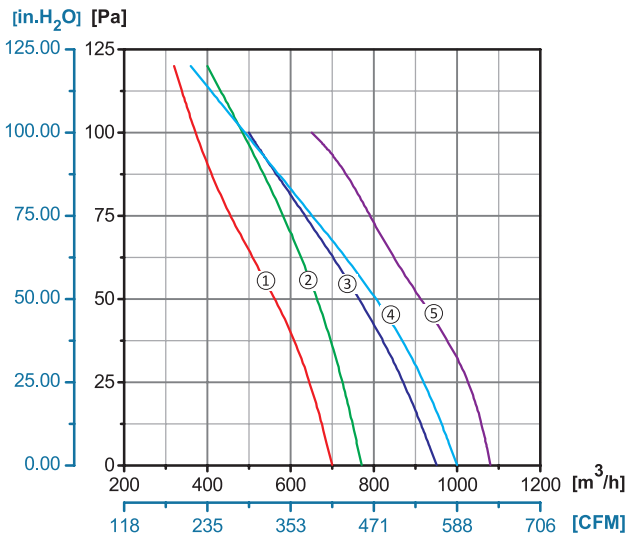
**ErP2015**  
EXCEEDS THE NORM








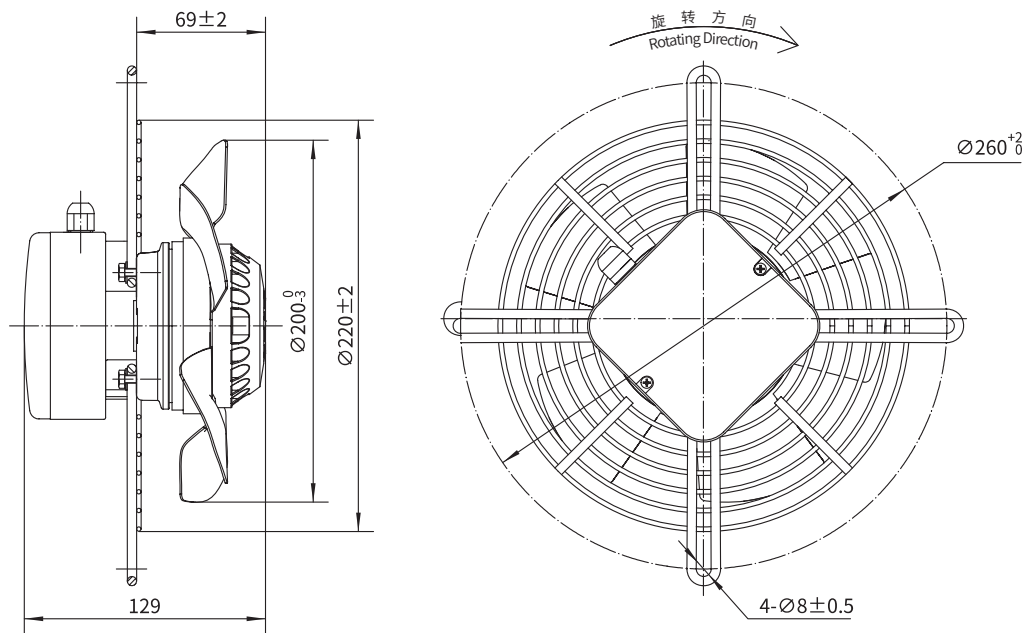
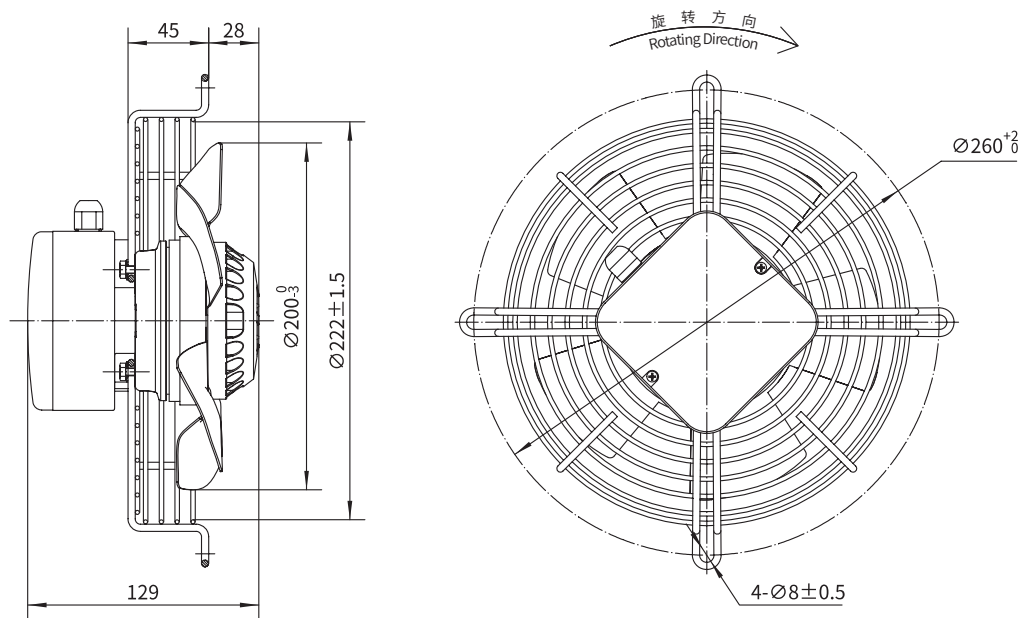
**Φ200**


转子材质 Rotor Material: 铸铝 Aluminum Die-casting  
 叶轮材质 Impeller Material: 碳钢 Carbon Steel  
 防护等级 Ingress Protection: IP44  
 绝缘等级 Insulation Class: F  
 轴承类型 Bearing Type: 免维护滚珠球轴承  
 Maintenance Free Ball Bearing

**性能曲线 Performance Curves**



|  Type B |  Type C |  Type D |  Type E |  Type F0 |
|--|--|--|---|---|
| YWF.A2S-200S-5B   A00  | YWF.A2S-200S-5C   A00  | YWF.A2S-200S-5D   A00  | YWF.A2S-200S-5E   A00   | YWF.A2S-200S-5F   A00   |
| YWF.A4S-200S-5B   A00  | YWF.A4S-200S-5C   A00  | YWF.A4S-200S-5D   A00  | YWF.A4S-200S-5E   A00   | YWF.A4S-200S-5F   A00   |
| YWF.A2S-200S-5B   A05  | YWF.A2S-200S-5C   A05  | YWF.A2S-200S-5D   A05  | YWF.A2S-200S-5E   A05   | YWF.A2S-200S-5F   A05   |
| YWF.A4S-200S-5B   A05  | YWF.A4S-200S-5C   A05  | YWF.A4S-200S-5D   A05  | YWF.A4S-200S-5E   A05   | YWF.A4S-200S-5F   A05   |
| YWF.A2S-200S-7B   A00  | YWF.A2S-200S-7C   A00  | YWF.A2S-200S-7D   A10  | YWF.A2S-200S-7E   A00   | YWF.A2S-200S-7F   A00   |

**B 型网罩 Type B**

**C 型网罩 Type C**


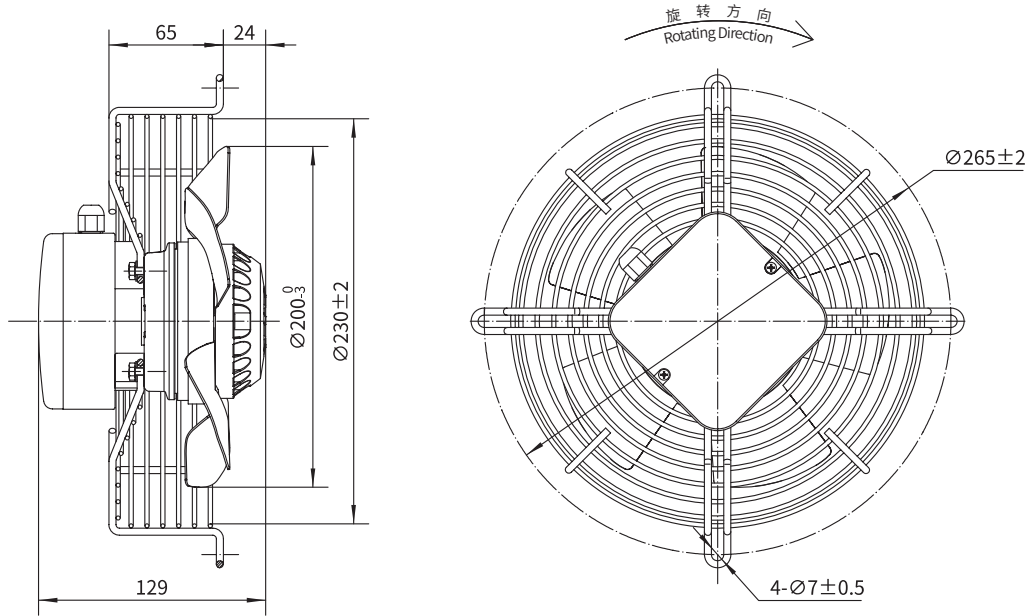
|  | 电压<br>Voltage | 频率<br>Frequency | 电流<br>Current | 功率<br>Power | 转速<br>Speed | 电容<br>Capacitor | 风量<br>Air Flow (0 Pa) | 噪音<br>Noise | 曲线<br>Curve | 运行温度<br>Working Temp. | 认证<br>Approvals |
|---|---------------|-----------------|---------------|-------------|-------------|-----------------|-----------------------|-------------|-------------|-----------------------|-----------------|
| Type F1   | V             | Hz              | A             | W           | RPM         | µF              | [m³/h]/[CFM]          | dB(A)       | No.         | Min/Max(°C)           |                 |
| /   | 220/230       | 50              | 0.20          | 45          | 2650        | 2               | 700/411               | 54          | ①           | -30/+60               | CCC, CE         |
| /   | 220/230       | 60              | 0.26          | 56          | 2950        | 2               | 770/452               | 56          | ②           | -30/+60               | CCC, CE         |
| /   | 220/230       | 50              | 0.12          | 27          | 1500        | 1               | 480/282               | 41          | ⑥           | -30/+60               | CCC, CE         |
| /   | 220/230       | 60              | 0.13          | 30          | 1680        | 1               | 560/329               | 45          | ⑧           | -30/+60               | CCC, CE         |
| /   | 110/120       | 60              | 0.45          | 55          | 2800        | 6               | 770/452               | 56          | ②           | -30/+60               | UL              |
| /   | 110/120       | 60              | 0.18          | 20          | 1600        | 2               | 560/329               | 45          | ⑦           | -30/+60               | UL              |
| /   | 220/230       | 50              | 0.30          | 72          | 2700        | 2               | 950/559               | 60          | ③           | -30/+60               | CCC, CE         |
| /   | 220/230       | 60              | 0.35          | 80          | 3050        | 2               | 1080/635              | 64          | ⑤           | -30/+60               | CCC, CE         |



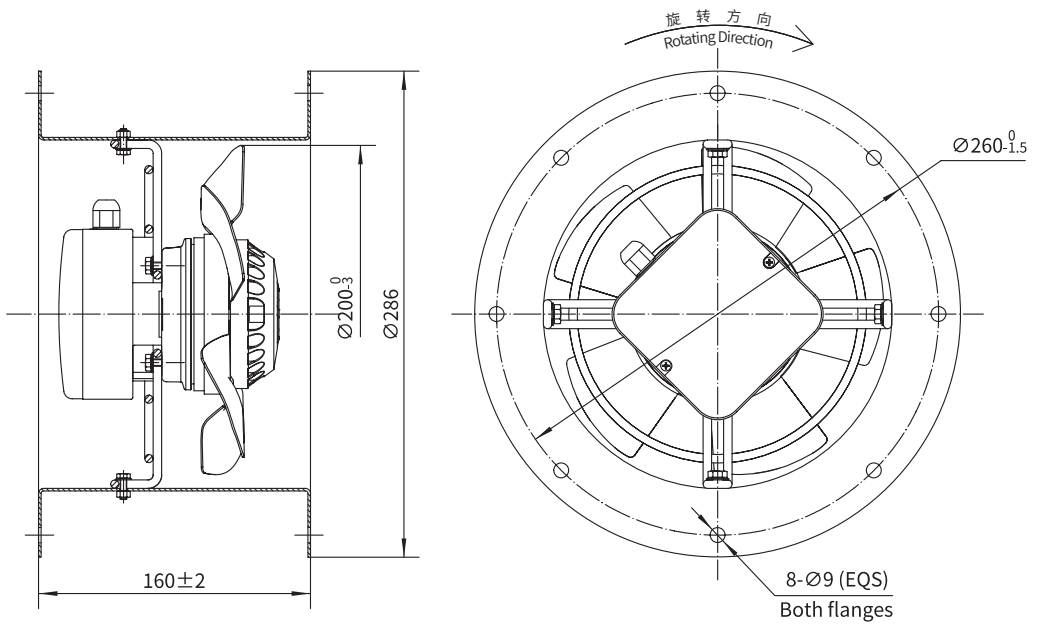
**常规金属叶片轴流风机**  
Conventional Carbon Steel Blade Axial Fan

**Φ200**

**D 型网罩 Type D**



**E 型导风筒 Type E**

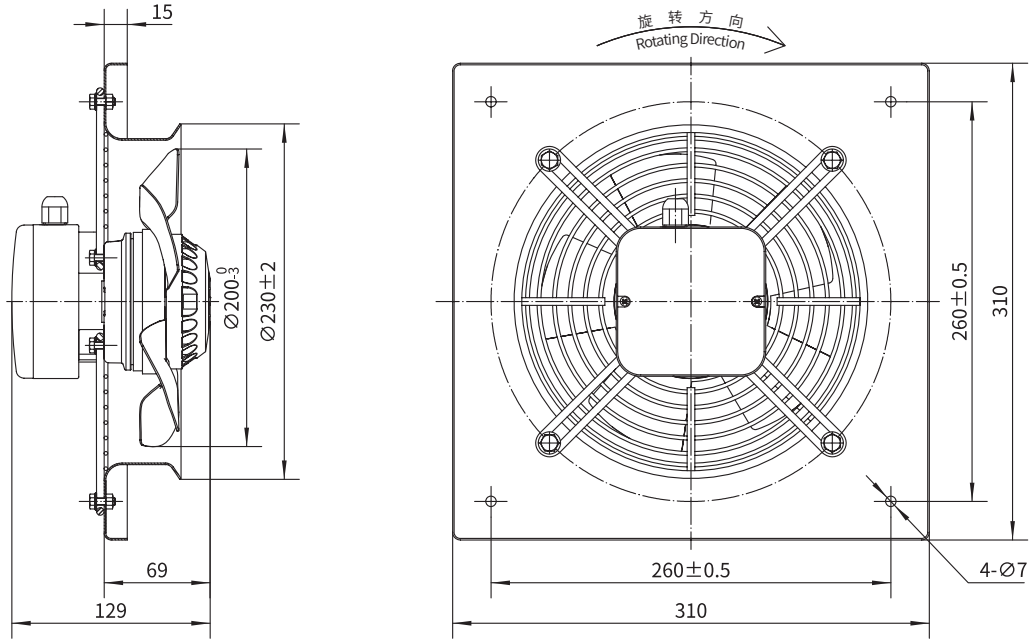




**常规金属叶片轴流风机**  
Conventional Carbon Steel Blade Axial Fan

**Φ200**

F0 型面板 Type F0



常规金属叶片轴流风机  
Conv. Steel Blade Axial

