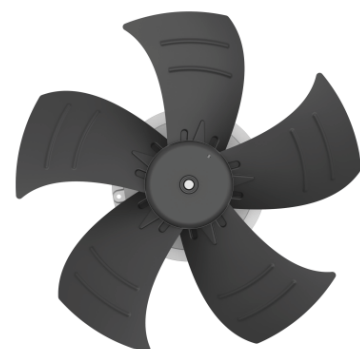


EC 常规金属叶片轴流风机
EC Conventional Carbon Steel Blade Axial Fan

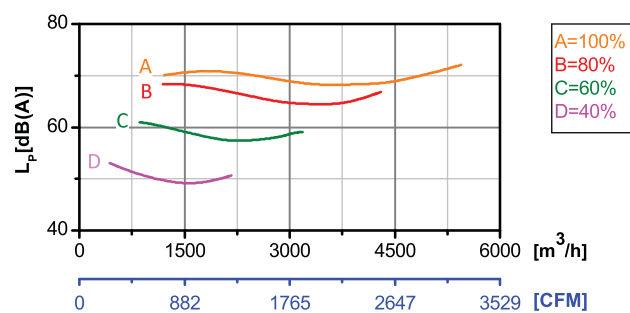
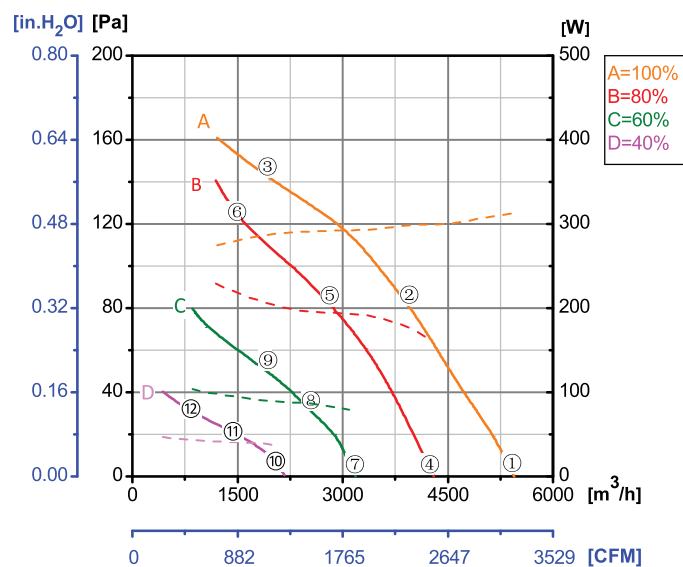
ErP2015
EXCEEDS THE NORM



Φ 400

转子材质 Rotor Material: 碳钢 Carbon steel
风叶材质 Blade Material: 碳钢 Carbon steel
防护等级 Ingress Protection: IP54
绝缘等级 Insulation Class: F
轴承类型 Bearing Type: 免维护滚珠轴承
Maintenance free ball bearing

性能曲线 Performance Curves

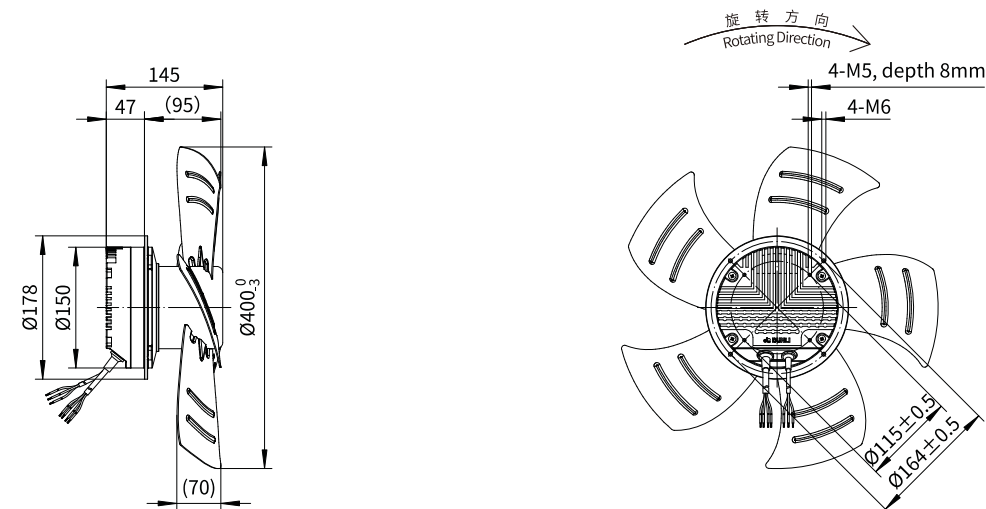


测试节点 Test Point	转速 Speed rpm	输入功率 Input Power W
1	1601	312
2	1500	300
3	1455	290
4	1281	160
5	1283	195
6	1285	215
7	958	77
8	961	87
9	962	89
10	663	36
11	666	41
12	666	47

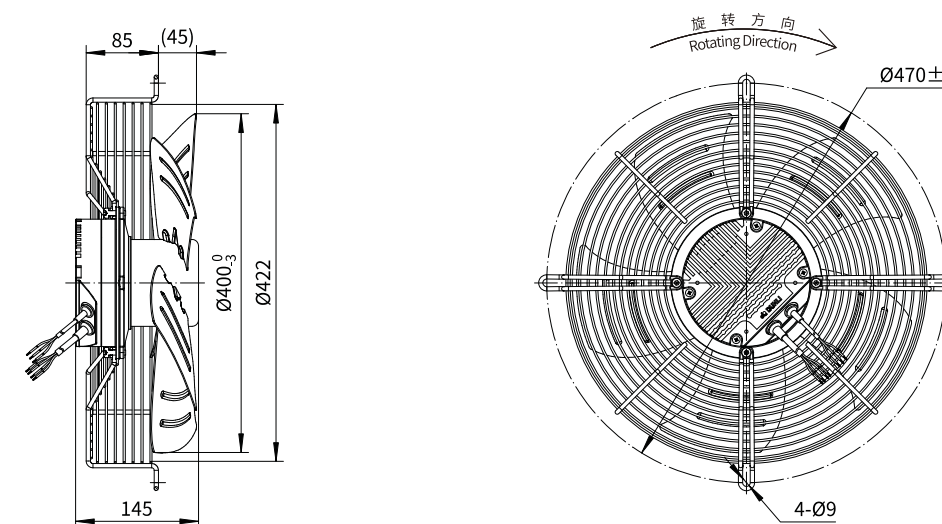
Erp2015 Data:
Efficiency η_{statA} = 38.6%
Efficiency grade N_{actual} = 48.4, N_{target} = 40
Test report No. : L-20210302-004-044

产品型号 Model No.	电压 Voltage	频率 Frequency	转速 Speed	输入功率 Input Power	电流 Current	运行温度 Working Temp.	认证 Approvals
	VAC	Hz	RPM	W	A	Min/Max (°C)	
EC102-A400-010	1~220/230	50/60	1600	320	1.55	-20/+60	CCC,CE

风机本体 Type A



D 型网罩 Type D



F 型面板 Type F

