



**常规金属叶片轴流风机**  
**Conventional Carbon Steel Blade Axial Fan**

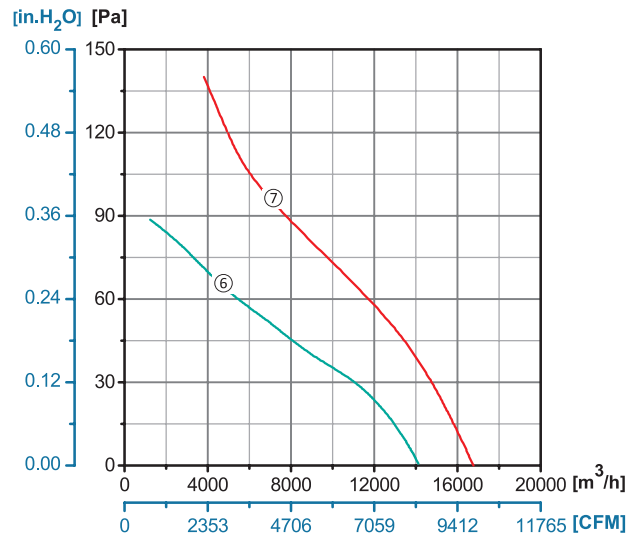
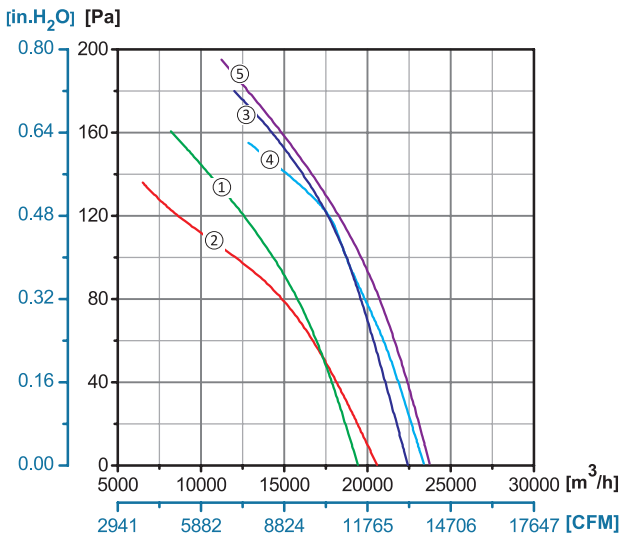
**ErP2015**  
EXCEEDS THE NORM








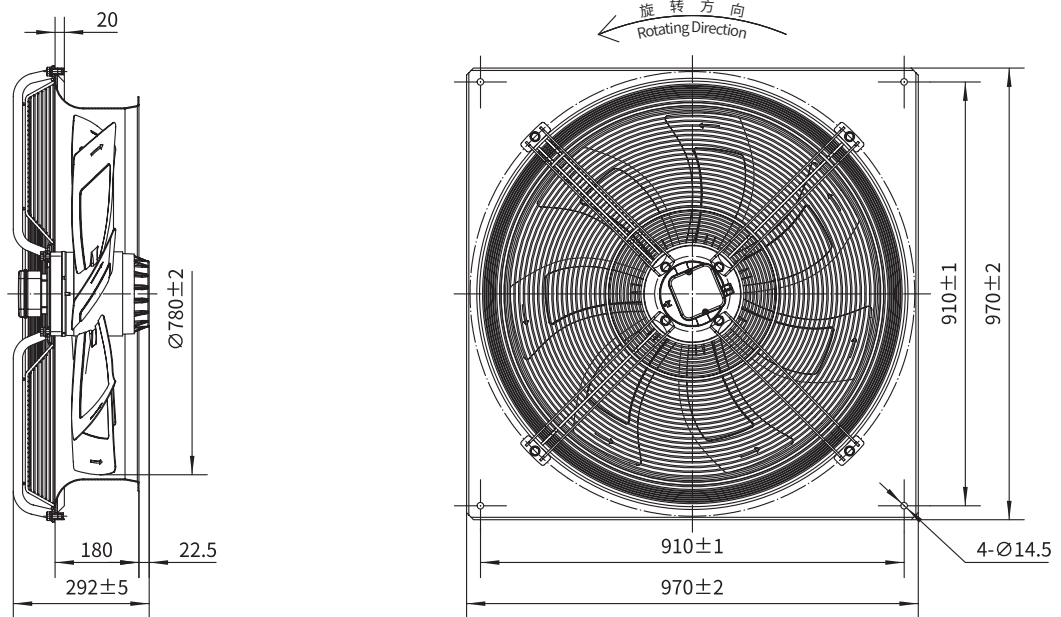
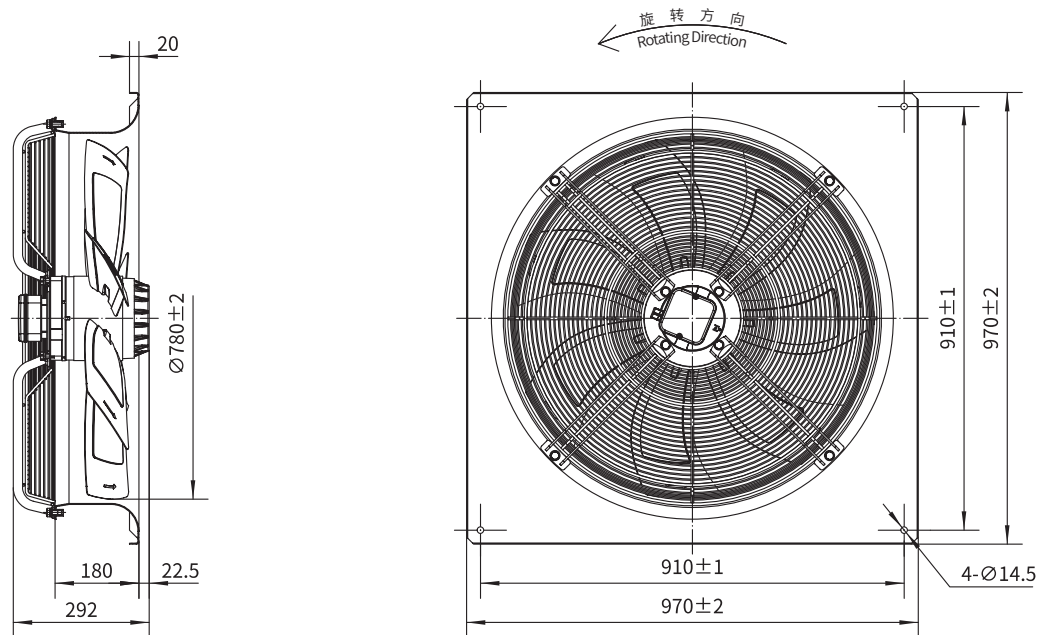
**Φ800**

转子材质 Rotor Material: 铸铝 Aluminum Die-casting  
 叶轮材质 Impeller Material: 碳钢 Carbon Steel  
 防护等级 Ingress Protection: IP54  
 绝缘等级 Insulation Class: F  
 轴承类型 Bearing Type: 免维护滚珠球轴承  
 Maintenance Free Ball Bearing

**性能曲线 Performance Curves**



				
Type B	Type C	Type D	Type E	Type F0
/	/	/	/	YWF.A6T-800S-7F   S11
/	/	/	/	YWF.A6T-800S-7F   S11
/	/	/	/	YWF.A8T-800S-7F   S11
/	/	/	/	YWF.A6T-800S-7F   V11

**F0 型面板 Type F0**

**F1 型面板 Type F1**


	电压 Voltage	频率 Frequency	电流 Current	功率 Power	转速 Speed	电容 Capacitor	风量 Air Flow (0 Pa)	噪音 Noise	曲线 Curve	运行温度 Working Temp.	认证 Approvals
Type F1	V	Hz	A	W	RPM	$\mu\text{F}$	[ $\text{m}^3/\text{h}$ ]/[CFM]	dB(A)	No.	Min/Max( $^{\circ}\text{C}$ )	
YWF.A6T-800S-7F   S10	380/400	50	3.20	1400	900	/	23400/13765	80	④	-30/+60	CCC, CE
	380/400	50	1.90	1100	750	/	20600/12118	76	②	-30/+60	CCC, CE
YWF.A6T-800S-7F   S10	380/400	60	3.40	1750	1050	/	24000/14118	80	⑤	-30/+60	CCC, CE
	380/400	50	1.50	650	670	/	16800/9882	74	⑥	-30/+60	CCC, CE
YWF.A8T-800S-7F   S10	380/400	50	0.80	450	510	/	14130/8312	70	⑦	-30/+60	CCC, CE
	220/230	50	5.20	1200	950	/	19500/11470	75	①	-30/+60	CCC, CE
YWF.A6T-800S-7F   V10	220/230	60	5.70	1800	1050	/	22500/13275	78	③	-30/+60	CCC, CE
	380/400	50	3.00	1200	950	/	19500/11470	75	①	-30/+60	CCC, CE
	380/400	60	3.40	1800	1050	/	22500/13275	78	③	-30/+60	CCC, CE
	380/400	60	3.40	1800	1050	/	22500/13275	78	③	-30/+60	CCC, CE