

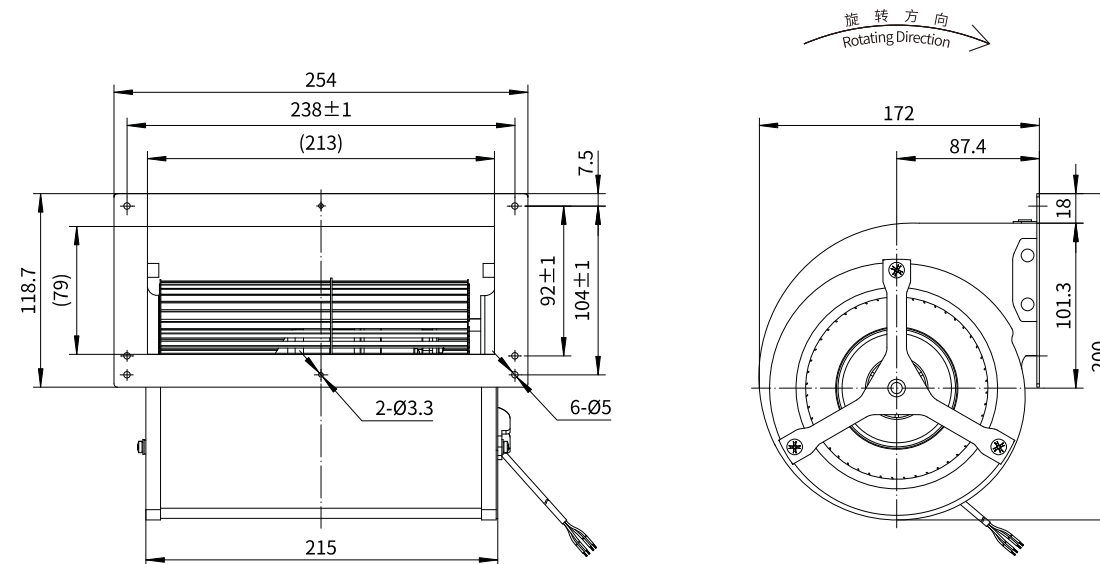
DC 前倾离心及鼓风机  
DC Forward Curved Centrifugal Fan and Blower

鼓风机 Blower

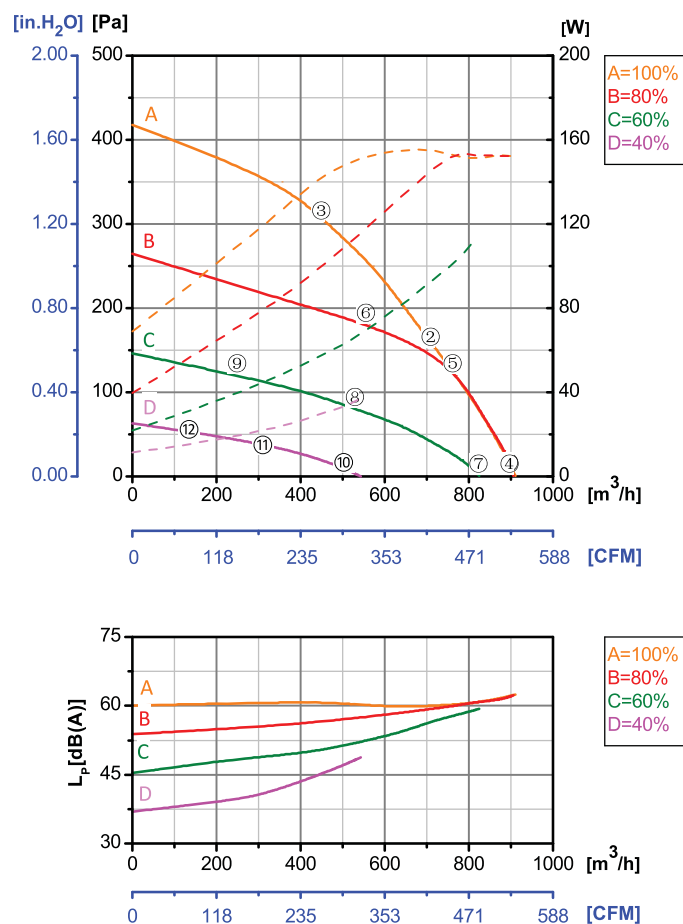


Φ 133

转子材质 Rotor Material: 碳钢 Carbon steel  
 蜗壳材质 Housing Material: 碳钢 Carbon steel  
 叶轮材质 Impeller Material: 镀锌板 Galvanized steel sheet  
 防护等级 Ingress Protection: IP42  
 绝缘等级 Insulation Class: F  
 轴承类型 Bearing Type: 免维护滚珠球轴承  
 Maintenance free ball bearing



性能曲线 Performance Curves



| 测试节点<br>Test Point | 转速<br>Speed<br>rpm | 输入功率<br>Input Power<br>W |
|--------------------|--------------------|--------------------------|
| 1                  | 1949               | 152                      |
| 2                  | 2389               | 155                      |
| 3                  | 2851               | 146                      |
| 4                  | 1939               | 152                      |
| 5                  | 2297               | 153                      |
| 6                  | 2364               | 119                      |
| 7                  | 1770               | 115                      |
| 8                  | 1777               | 66                       |
| 9                  | 1780               | 39                       |
| 10                 | 1186               | 37                       |
| 11                 | 1188               | 25                       |
| 12                 | 1188               | 17                       |

Erp2015 Data:  
 Efficiency  $\eta_{statA} = *%$   
 Efficiency grade  $N_{actual} = *, N_{target} = 44$   
 Test report No. : L-20210302-003-085

| 产品型号<br>Model No. | 电压<br>Voltage | 频率<br>Frequency | 转速<br>Speed | 输入功率<br>Input Power | 电流<br>Current | 运行温度<br>Working Temp. | 认证<br>Approvals |
|-------------------|---------------|-----------------|-------------|---------------------|---------------|-----------------------|-----------------|
|                   | VDC           | Hz              | RPM         | W                   | A             | Min/Max (°C)          |                 |
| DC92-F133-C10     | 48            | /               | 1920        | 150                 | 3.10          | -20/+60               | CCC,CE          |
| DC92-F133-D10     | 310           | /               | 1920        | 150                 | 0.48          | -20/+60               | CCC,CE          |