

EC 高效塑料叶轮后倾离心风机
EC High-efficiency Backward Curved Centrifugal Fan

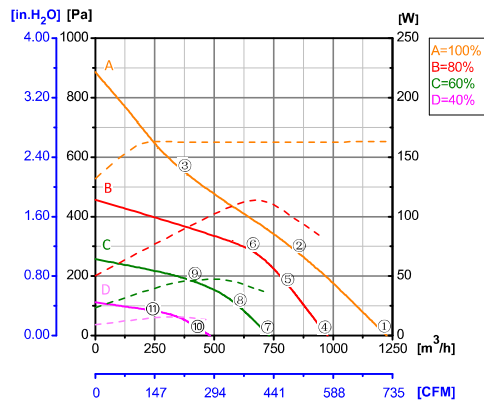
Erp2015
EXCEEDS THE NORM



Φ 220

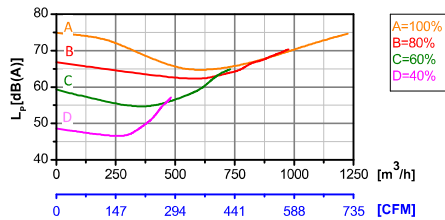
转子材质 Rotor Material: 碳钢 Carbon steel
 叶轮材质 Impeller Material: 塑料 Plastic
 防护等级 Ingress Protection: IP54
 绝缘等级 Insulation Class: F
 轴承类型 Bearing Type: 免维护滚珠球轴承
 Maintenance free ball bearing

性能曲线 Performance Curves



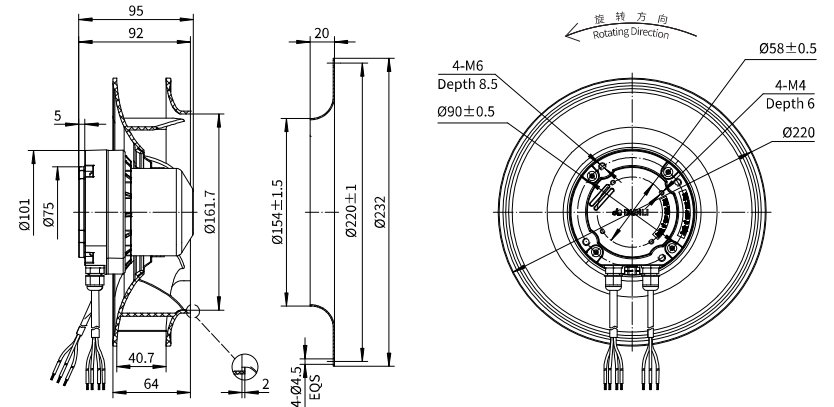
测试节点 Test Point	转速 Speed rpm	输入功率 Input Power W
1	3516	163
2	3172	163
3	3261	163
4	2812	82
5	2813	101
6	2812	115
7	2108	36
8	2112	44
9	2112	47
10	1403	13
11	1401	16
12	/	/

Erp2015 Data:
 Efficiency η_{statA} = 50.8%
 Efficiency grade N_{actual} = 69.6, N_{target} = 62
 Test report No. : L-20210810 -008-001

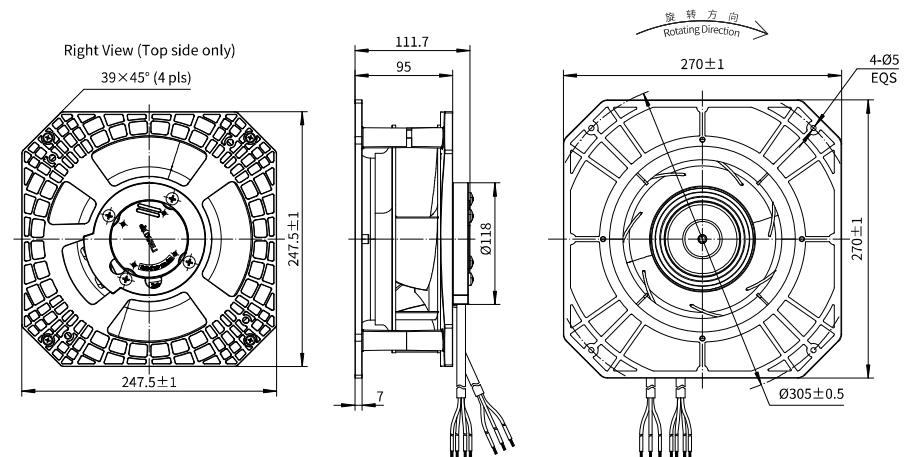


产品型号 Model No.	电压 Voltage	频率 Frequency	转速 Speed	输入功率 Input Power	电流 Current	运行温度 Working Temp.	认证 Approvals
	VAC	Hz	RPM	W	A	Min/Max (°C)	
EC72-B220-B36	1~220/230	50/60	3500	165	1.20	-20/+60	CCC, CE

后倾离心风机 Motorized Backward Curved Impeller



带支架 With Supporting Rack



高效塑料叶轮后倾离心
High-efficiency B/C Centrifugal