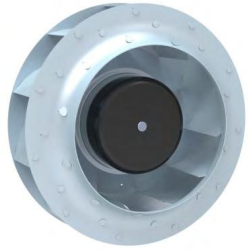


EC 金属叶轮后倾离心风机  
EC Backward Centrifugal Fan with Metal Impeller

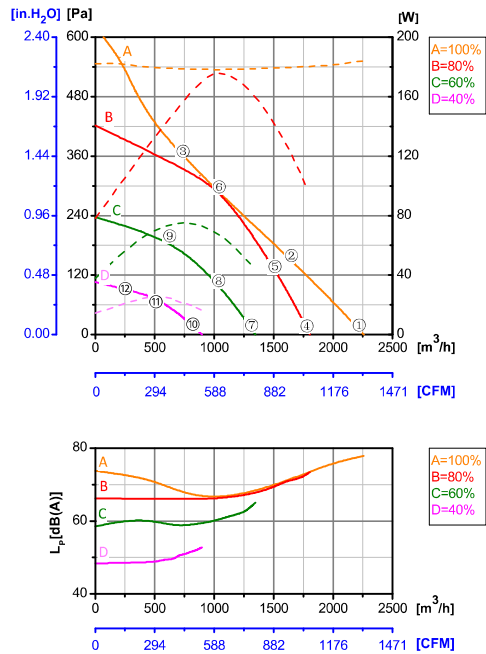
Erp2015  
EXCEEDS THE NORM



Φ 280-L

转子材质 Rotor Material: 碳钢 Carbon steel  
 叶轮材质 Impeller Material: 镀锌板 Galvanized steel sheet  
 防护等级 Ingress Protection: IP44  
 绝缘等级 Insulation Class: F  
 轴承类型 Bearing Type: 免维护滚珠轴承  
 Maintenance free ball bearing

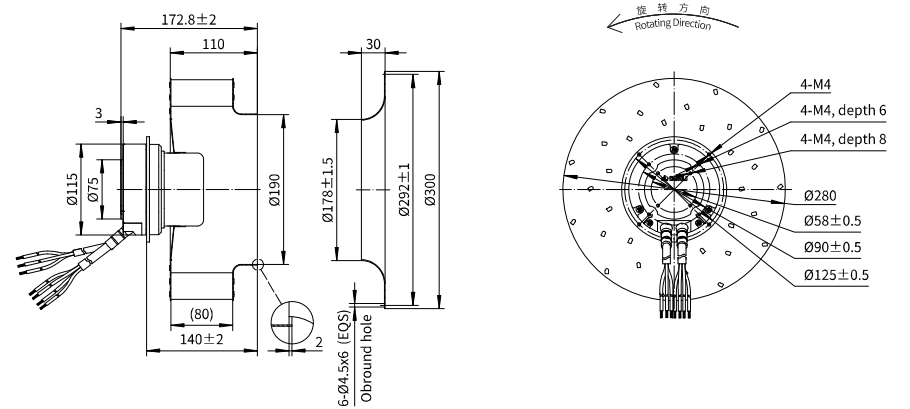
性能曲线 Performance Curves



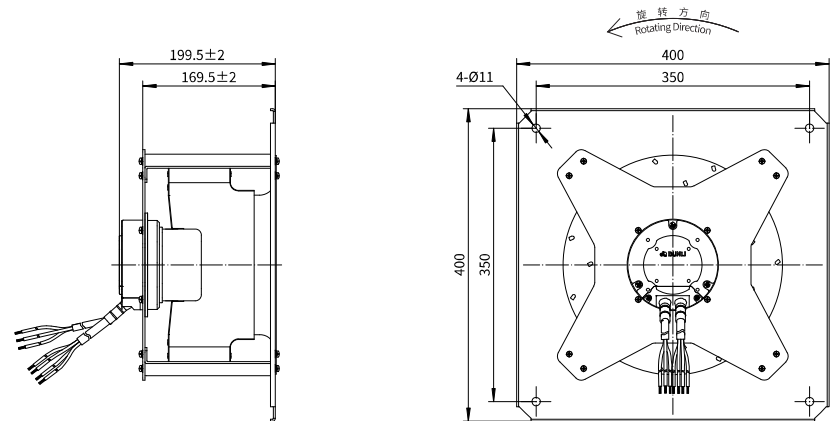
测试节点 Test Point	转速 Speed rpm	输入功率 Input Power W
1	2619	184
2	2295	180
3	2127	179
4	2096	94
5	2099	139
6	2098	177
7	1571	44
8	1572	66
9	1571	75
10	1048	16
11	1048	21
12	1048	25

Erp2015 Data:  
 Efficiency  $\eta_{statA}$  = 53.3%  
 Efficiency grade  $N_{actual}$  = 71.6,  $N_{target}$  = 62  
 Test report No. : L-20210302 - 005 - 025

后倾离心风机 Motorized Backward Curved Impeller



带支架 With Supporting Rack



产品型号 Model No.	电压 Voltage	频率 Frequency	转速 Speed	输入功率 Input Power	电流 Current	运行温度 Working Temp.	认证 Approvals
	VAC	Hz	RPM	W	A	Min/Max (°C)	
EC92-B280-031	1~220/230	50/60	2500	180	1.40	-20/+60	CCC, CE