

EC 金属叶轮后倾离心风机
EC Backward Centrifugal Fan with Metal Impeller

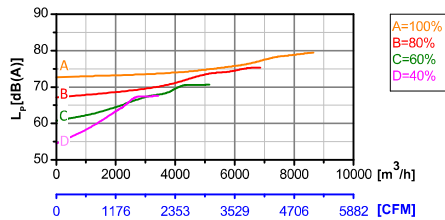
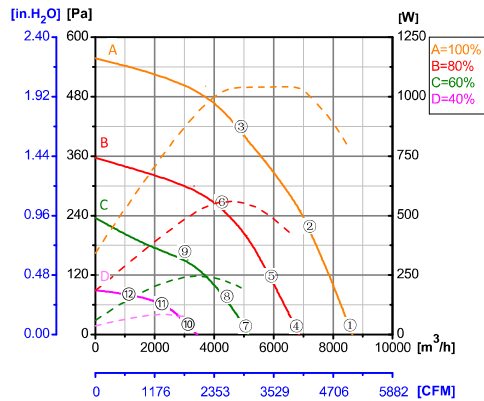
Erp2015
EXCEEDS THE NORM



Φ 500 (3-phase)

转子材质 Rotor Material: 碳钢 Carbon steel
 叶轮材质 Impeller Material: 铝合金 Aluminum alloy sheet
 防护等级 Ingress Protection: IP54
 绝缘等级 Insulation Class: F
 轴承类型 Bearing Type: 免维护滚珠轴承
 Maintenance free ball bearing

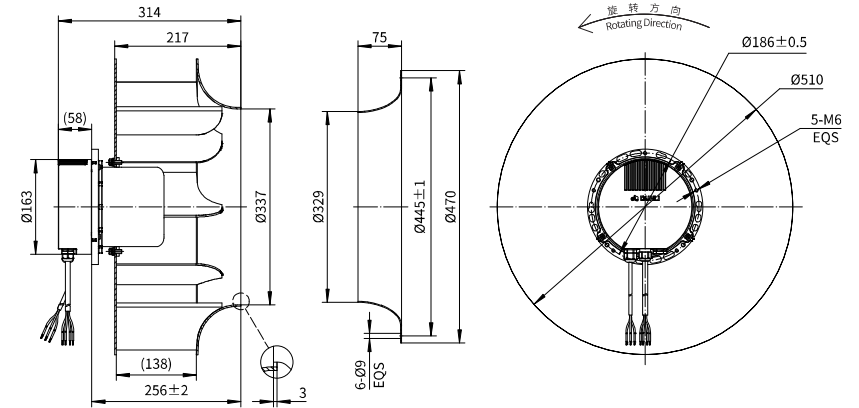
性能曲线 Performance Curves



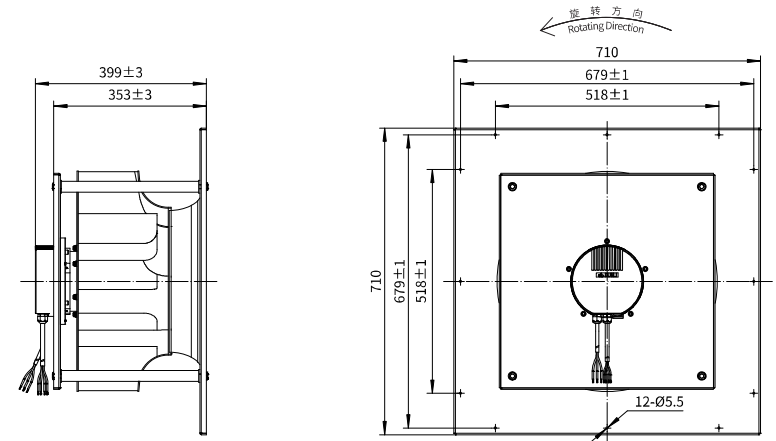
测试节点 Test Point	转速 Speed rpm	输入功率 Input Power W
1	1264	763
2	1269	995
3	1231	1040
4	1008	394
5	1009	487
6	1009	566
7	762	176
8	760	219
9	762	245
10	511	64
11	512	81
12	510	84

Erp2015 Data:
 Efficiency η_{statA} = 58.1%
 Efficiency grade N_{actual} = 68.4, N_{target} = 62
 Test report No. : L-20210302-005-069

后倾离心风机 Motorized Backward Curved Impeller



带支架 With Supporting Rack



产品型号 Model No.	电压 Voltage	频率 Frequency	转速 Speed	输入功率 Input Power	电流 Current	运行温度 Working Temp.	认证 Approvals
	VAC	Hz	RPM	W	A	Min/Max (°C)	
EC137-B500-001	3~380/400	50/60	1260	820	1.70	-20/+60	CCC, CE