

EC 高效塑料叶轮后倾离心风机  
EC High-efficiency Backward Curved Centrifugal Fan

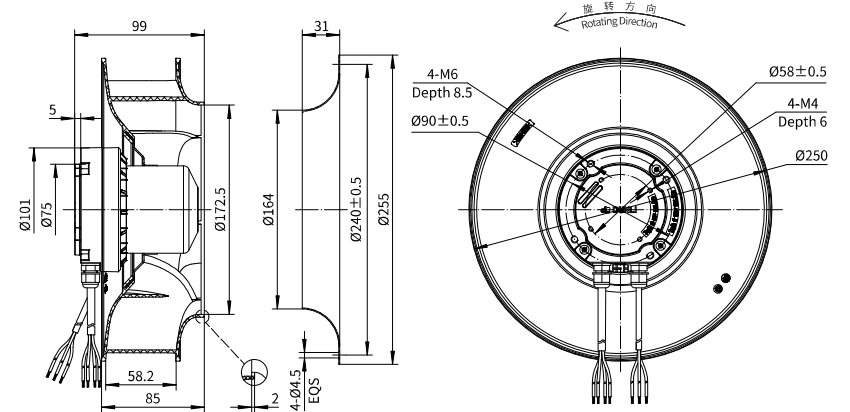
Erp2015  
EXCEEDS THE NORM

后倾离心风机 Motorized Backward Curved Impeller

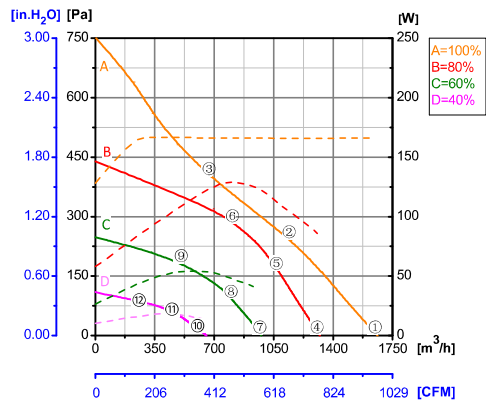


Φ 250

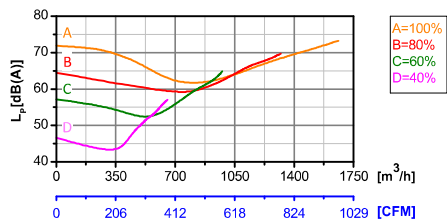
转子材质 Rotor Material: 碳钢 Carbon steel  
 叶轮材质 Impeller Material: 塑料 Plastic  
 防护等级 Ingress Protection: IP54  
 绝缘等级 Insulation Class: F  
 轴承类型 Bearing Type: 免维护滚珠轴承  
 Maintenance free ball bearing



性能曲线 Performance Curves



测试节点 Test Point	转速 Speed rpm	输入功率 Input Power W
1	2879	166
2	2569	166
3	2498	166
4	2301	84
5	2301	111
6	2301	129
7	1728	39
8	1727	47
9	1727	55
10	1150	14
11	1150	16
12	1149	18



Erp2015 Data:  
 Efficiency  $\eta_{statA} = 56\%$   
 Efficiency grade  $N_{actual} = 74.6, N_{target} = 62$   
 Test report No. : L-20210810 -010-001

产品型号 Model No.	电压 Voltage	频率 Frequency	转速 Speed	输入功率 Input Power	电流 Current	运行温度 Working Temp.	认证 Approvals
	VAC	Hz	RPM	W	A	Min/Max (°C)	
EC72-B250-B33	1~220/230	50/60	2880	165	1.16	-20/+60	CCC, CE