

EC 高效塑料叶轮后倾离心风机
EC High-efficiency Backward Curved Centrifugal Fan

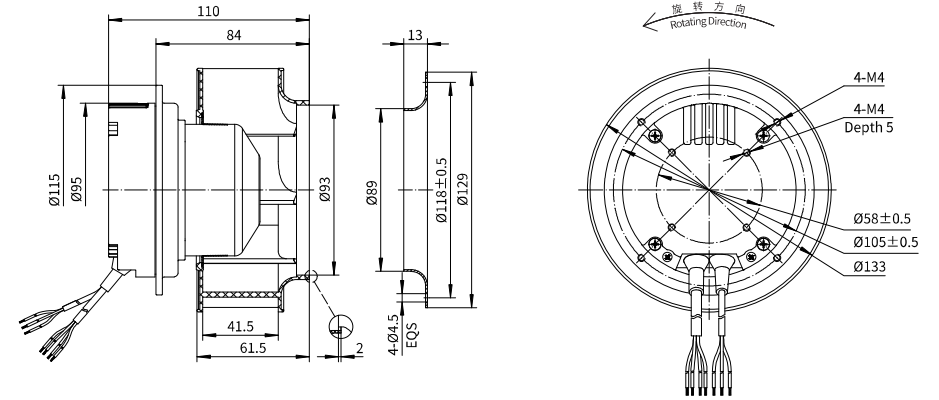
Erp2015
EXCEEDS THE NORM

后倾离心风机 Motorized Backward Curved Impeller

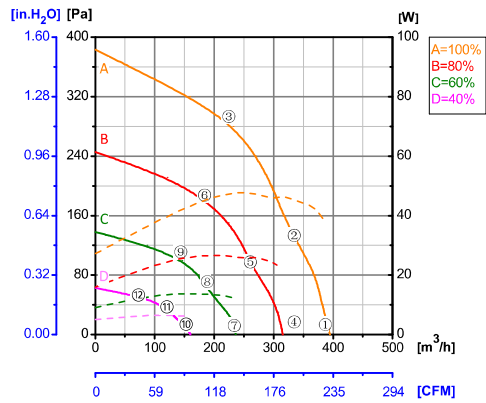


Φ 133

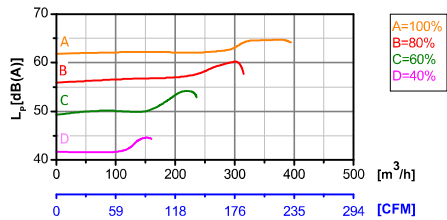
转子材质 Rotor Material: 碳钢 Carbon steel
 叶轮材质 Impeller Material: 塑料 Plastic
 防护等级 Ingress Protection: IP44
 绝缘等级 Insulation Class: F
 轴承类型 Bearing Type: 免维护滚珠球轴承
 Maintenance free ball bearing



性能曲线 Performance Curves



测试节点 Test Point	转速 Speed rpm	输入功率 Input Power W
1	4478	36
2	4477	45
3	4479	48
4	3581	20
5	3592	26
6	3578	27
7	2673	12
8	2684	14
9	2685	14
10	1798	5
11	1789	6
12	1790	6



Erp2015 Data:
 Efficiency η_{statA} = 44.8%
 Efficiency grade N_{actual} = 69.2, N_{target} = 62
 Test report No. : L-20210302 -005-001

产品型号 Model No.	电压 Voltage	频率 Frequency	转速 Speed	输入功率 Input Power	电流 Current	运行温度 Working temp.	认证 Approvals
	VAC	Hz	RPM	W	A	Min/Max (°C)	
EC72-B133-002	1~220/230	50/60	4500	45	0.42	-20/+60	CCC, CE

高效塑料叶轮后倾离心
High-efficiency B/C Centrifugal