

EC 高效塑料叶轮后倾离心风机
EC High-efficiency Backward Curved Centrifugal Fan

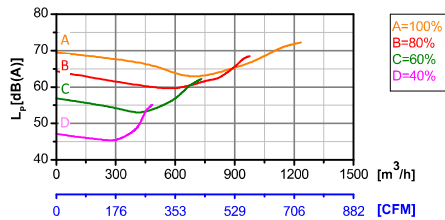
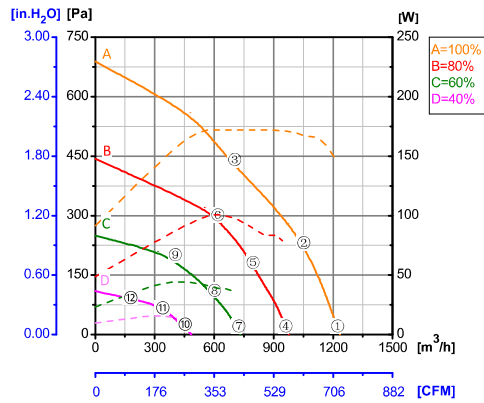
Erp2015
EXCEEDS THE NORM



Φ 225

转子材质 Rotor Material: 碳钢 Carbon steel
 叶轮材质 Impeller Material: 塑料 Plastic
 防护等级 Ingress Protection: IP54
 绝缘等级 Insulation Class: F
 轴承类型 Bearing Type: 免维护滚珠轴承
 Maintenance free ball bearing

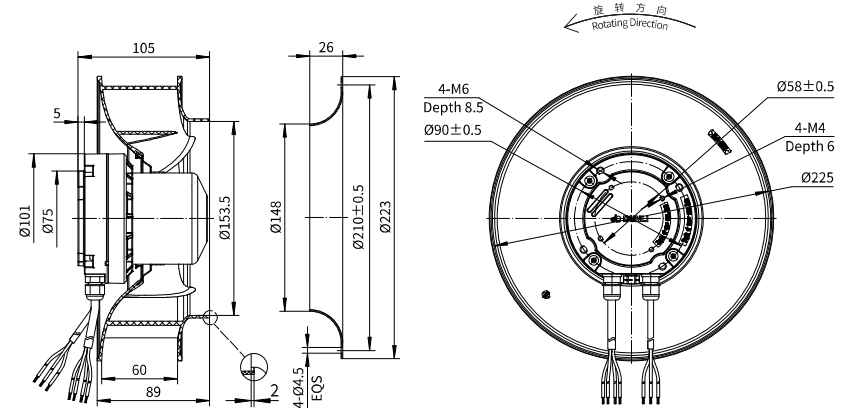
性能曲线 Performance Curves



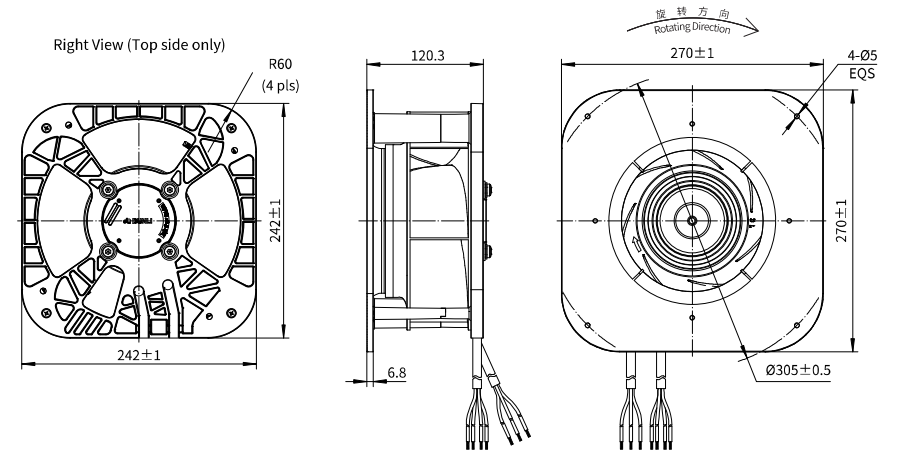
测试节点 Test Point	转速 Speed rpm	输入功率 Input Power W
1	3153	143
2	3155	166
3	3001	172
4	2521	73
5	2519	88
6	2521	101
7	1889	33
8	1890	39
9	1891	45
10	1260	13
11	1260	14
12	1260	16

Erp2015 Data:
 Efficiency η_{statA} = 55.3%
 Efficiency grade N_{actual} = 73.8, N_{target} = 62
 Test report No. : L-20210810 -009-001

后倾离心风机 Motorized Backward Curved Impeller



带支架 With Supporting Rack



产品型号 Model No.	电压 Voltage	频率 Frequency	转速 Speed	输入功率 Input Power	电流 Current	运行温度 Working Temp.	认证 Approvals
	VAC	Hz	RPM	W	A	Min/Max (°C)	
EC72-B225-B38	1~220/230	50/60	3100	160	1.20	-20/+60	CCC, CE