

EC 常规金属叶片轴流风机
EC Conventional Carbon Steel Blade Axial Fan

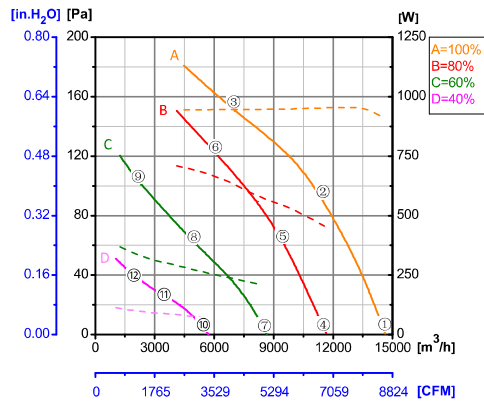
Erp2015
EXCEEDS THE NORM



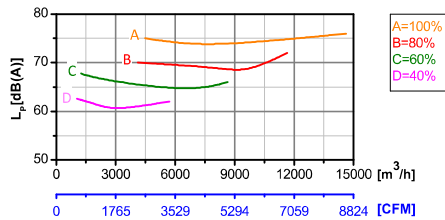
Φ 630 (3-phase)

转子材质 Rotor Material: 碳钢 Carbon steel
风叶材质 Blade Material: 碳钢 Carbon steel
防护等级 Ingress Protection: IP54
绝缘等级 Insulation Class: F
轴承类型 Bearing Type: 免维护滚珠球轴承
Maintenance free ball bearing

性能曲线 Performance Curves



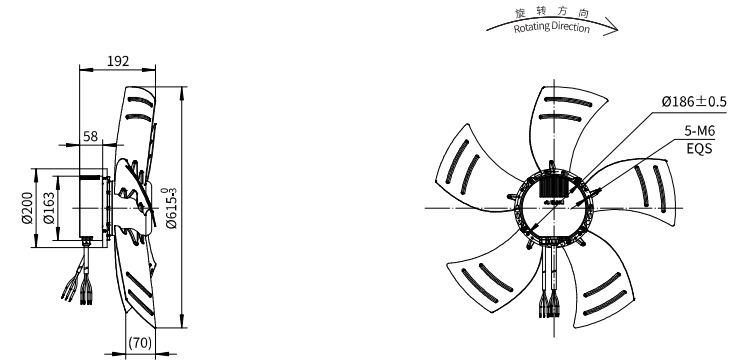
测试节点 Test Point	转速 Speed rpm	输入功率 Input Power W
1	1294	907
2	1256	953
3	1162	950
4	1035	451
5	1037	541
6	1036	670
7	779	197
8	777	271
9	776	325
10	517	68
11	522	83
12	520	100



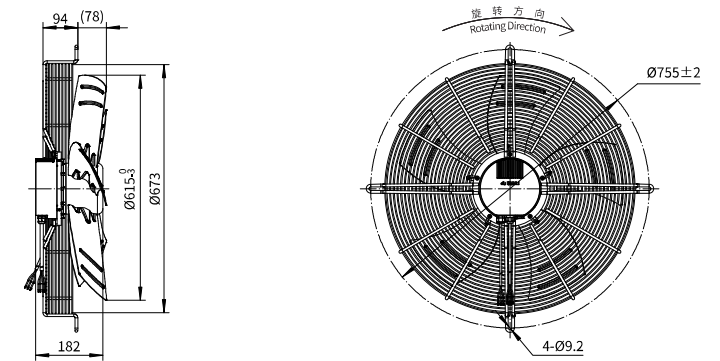
Erp2015 Data:
Efficiency η_{statA} =38.4%
Efficiency grade N_{actual} =44.9, N_{target} =40
Test report No. : L-20210302 -004-057

产品型号 Model No.	电压 Voltage	频率 Frequency	转速 Speed	输入功率 Input Power	电流 Current	运行温度 Working Temp.	认证 Approvals
	VAC	Hz	RPM	W	A	Min/Max (°C)	
EC137-A630-KA1	3~380/400	50/60	1250	1000	1.81	-20/+60	CCC,CE,UL

风机本体 Type A



D 型网罩 Type D



F 型面板 Type F

