

DC 前倾离心及鼓风机  
DC Forward Curved Centrifugal Fan and Blower

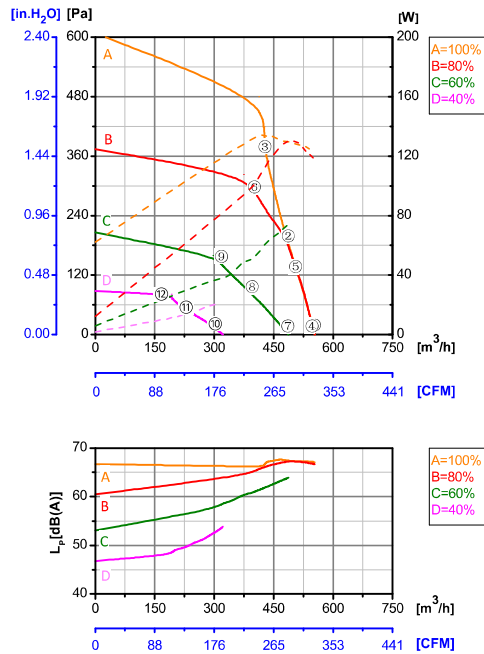
Erp2015  
EXCEEDS THE NORM



Φ 160-H

转子材质 Rotor Material: 碳钢 Carbon steel  
 蜗壳材质 Housing Material: 碳钢 Carbon steel  
 叶轮材质 Impeller Material: 镀锌板 Galvanized steel sheet  
 防护等级 Ingress Protection: IP42  
 绝缘等级 Insulation Class: F  
 轴承类型 Bearing Type: 免维护滚珠轴承  
 Maintenance free ball bearing

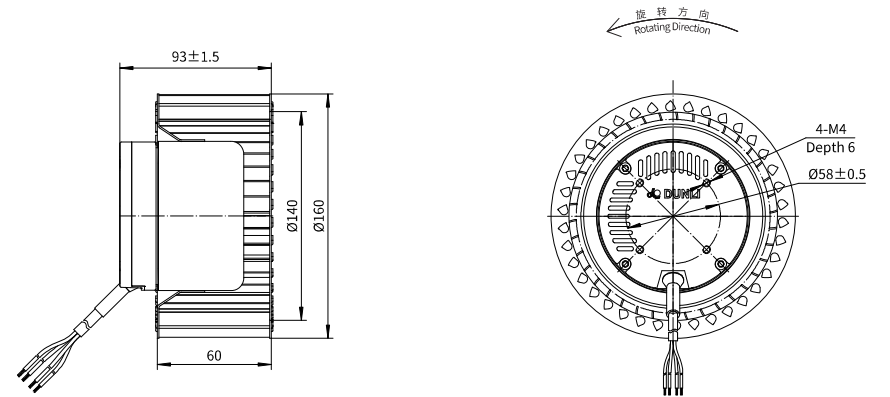
性能曲线 Performance Curves



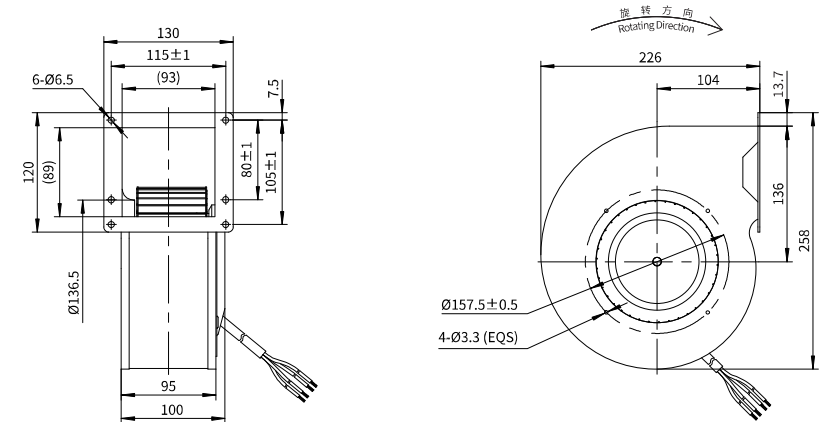
测试节点 Test Point	转速 Speed rpm	输入功率 Input Power W
1	2090	121
2	2424	130
3	2684	133
4	2089	118
5	2320	130
6	2447	102
7	1844	75
8	1839	50
9	1844	37
10	1232	22
11	1234	18
12	1236	11

Erp2015 Data:  
 Efficiency  $\eta_{statA}$  = 41.1%  
 Efficiency grade  $N_{actual}$  = 50.7,  $N_{target}$  = 44  
 Test report No. : L-20210302 - 003-038

前倾离心风机 Motorized Forward Curved Impeller



鼓风机 Blower



产品型号 Model No.	电压 Voltage	频率 Frequency	转速 Speed	输入功率 Input Power	电流 Current	运行温度 Working Temp.	认证 Approvals
	VDC	Hz	RPM	W	A	Min/Max (°C)	
DC92-F160-A10	24	/	2000	125	5.2	-20/+60	CE
DC92-F160-C10	48	/	2000	125	2.6	-20/+60	CCC, CE
DC92-F160-007	310	/	2000	125	0.40	-20/+60	CCC, CE