

EC 复翼叶轮后倾离心风机
EC Backward Curved Centrifugal Fan with Aileron Impeller

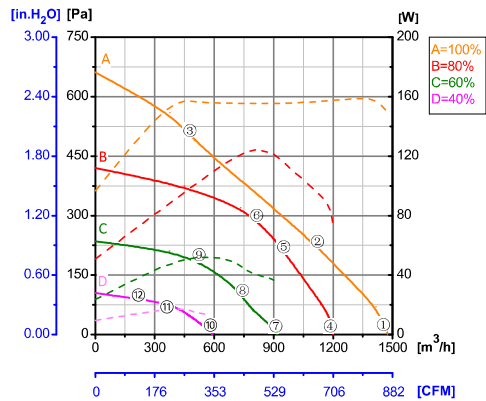
ErP2015
EXCEEDS THE NORM



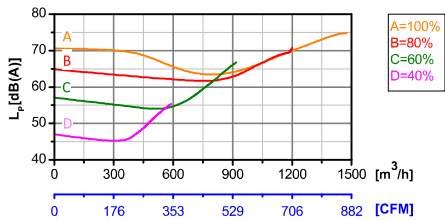
Φ 250-H

转子材质 Rotor Material: 碳钢 Carbon steel
 叶轮材质 Impeller Material: 塑料 Plastic
 防护等级 Ingress Protection: IP44
 绝缘等级 Insulation Class: F
 轴承类型 Bearing Type: 免维护滚珠轴承
 Maintenance free ball bearing

性能曲线 Performance Curves

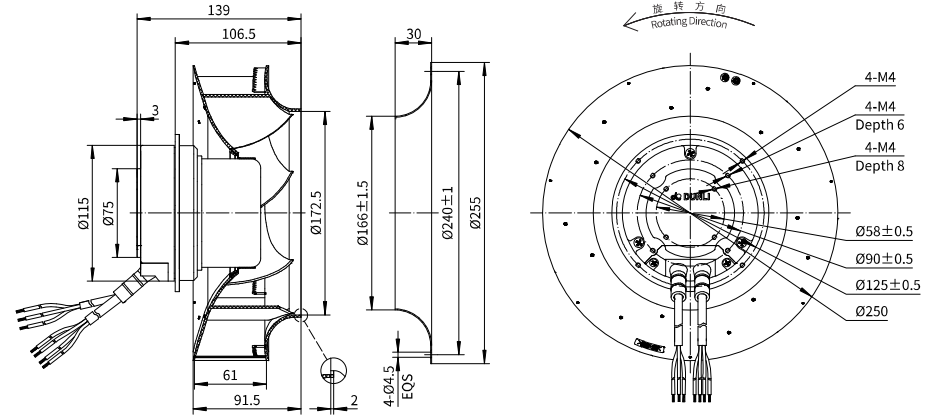


测试节点 Test Point	转速 Speed rpm	输入功率 Input Power W
1	2787	149
2	2531	157
3	2483	156
4	2226	86
5	2227	114
6	2224	125
7	1665	36
8	1665	45
9	1664	53
10	1112	13
11	1115	15
12	1112	18



Erp2015 Data:
 Efficiency η_{statA} = 59.1%
 Efficiency grade N_{actual} = 78.1, N_{target} = 62
 Test report No. : L-20210302-005-024

后倾离心风机 Motorized Backward Curved Impeller



产品型号 Model No.	电压 Voltage	频率 Frequency	转速 Speed	输入功率 Input Power	电流 Current	运行温度 Working temp.	认证 Approvals
	VAC	Hz	RPM	W	A	Min/Max (°C)	
EC92-B250-041	1~220/230	50/60	2800	150	1.15	-20/+60	CCC, CE