

EC 常规金属叶片轴流风机
EC Conventional Carbon Steel Blade Axial Fan

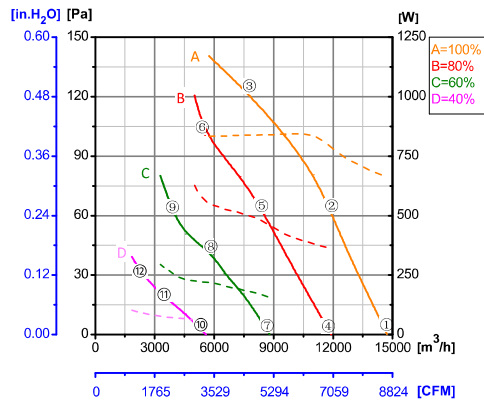
Erp2015
EXCEEDS THE NORM



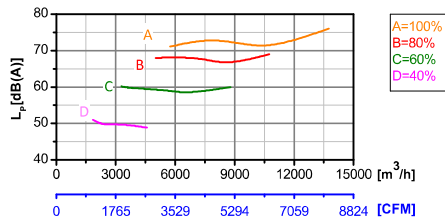
Φ 710 (3-phase)

转子材质 Rotor Material: 碳钢 Carbon steel
 风叶材质 Blade Material: 碳钢 Carbon steel
 防护等级 Ingress Protection: IP54
 绝缘等级 Insulation Class: F
 轴承类型 Bearing Type: 免维护滚珠轴承
 Maintenance free ball bearing

性能曲线 Performance Curves



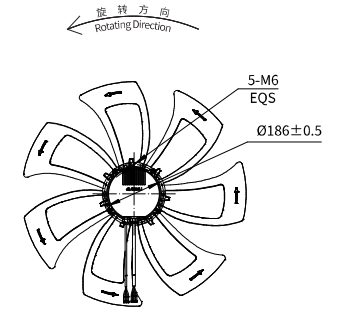
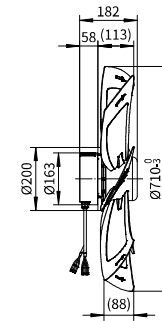
| 测试节点 Test Point | 转速 Speed rpm | 输入功率 Input Power W |
|--------------------|--------------------|--------------------------|
| 1 | 945 | 660 |
| 2 | 940 | 781 |
| 3 | 892 | 839 |
| 4 | 760 | 359 |
| 5 | 759 | 475 |
| 6 | 760 | 541 |
| 7 | 567 | 157 |
| 8 | 569 | 221 |
| 9 | 569 | 249 |
| 10 | 380 | 60 |
| 11 | 379 | 77 |
| 12 | 379 | 90 |



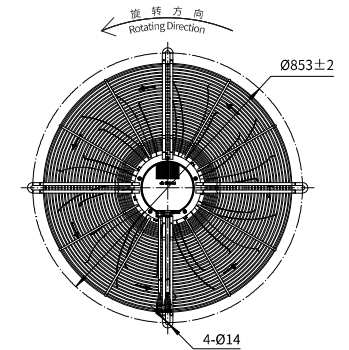
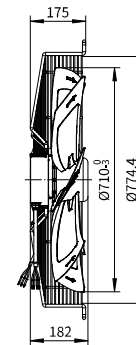
Erp2015 Data:
 Efficiency η_{statA} = 34.8%
 Efficiency grade N_{actual} = 41.6, N_{target} = 40
 Test report No. : L-20210302-004-059

| 产品型号 Model No. | 电压 Voltage | 频率 Frequency | 转速 Speed | 输入功率 Input Power | 电流 Current | 运行温度 Working Temp. | 认证 Approvals |
|-------------------|---------------|-----------------|-------------|---------------------|---------------|-----------------------|-----------------|
| | VAC | Hz | RPM | W | A | Min/Max (°C) | |
| EC137-A710-KA1 | 3~380/400 | 50/60 | 930 | 700 | 1.20 | -20/+60 | CCC,CE,UL |

风机本体 Type A



D型网罩 Type D



F型面板 Type F

