

EC 复翼叶轮后倾离心风机
EC Backward Curved Centrifugal Fan with Aileron Impeller

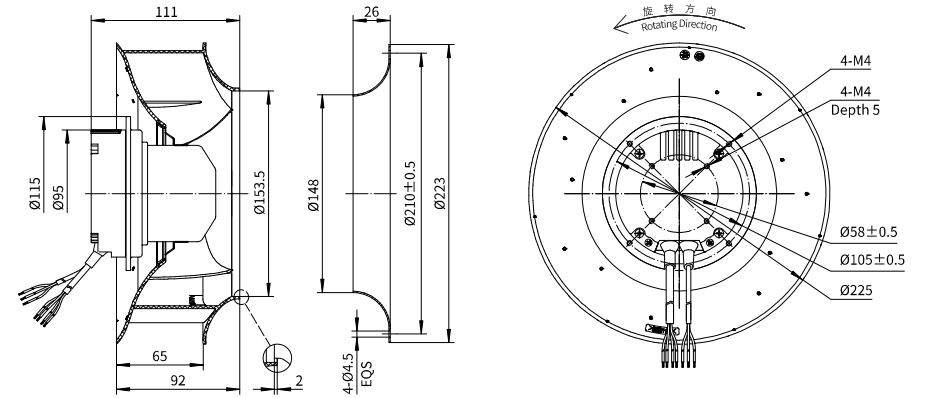
ErP2015
EXCEEDS THE NORM

后倾离心风机 Motorized Backward Curved Impeller

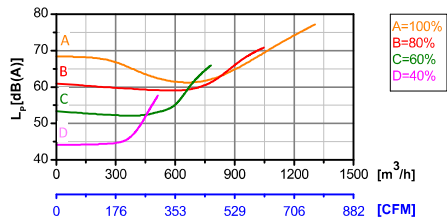
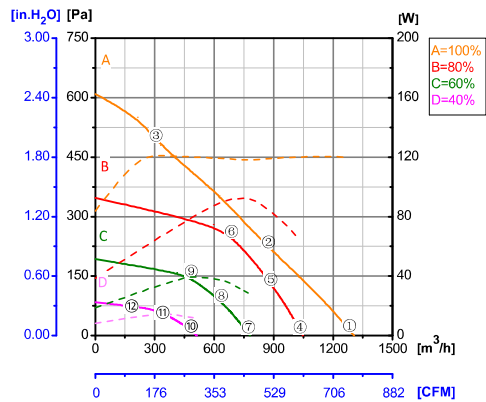


Φ 225-L

转子材质 Rotor Material: 碳钢 Carbon steel
 叶轮材质 Impeller Material: 塑料 Plastic
 防护等级 Ingress Protection: IP44
 绝缘等级 Insulation Class: F
 轴承类型 Bearing Type: 免维护滚珠轴承
 Maintenance free ball bearing



性能曲线 Performance Curves



测试节点 Test Point	转速 Speed rpm	输入功率 Input Power W
1	2831	119
2	2496	120
3	2722	120
4	2263	61
5	2273	82
6	2278	92
7	1696	28
8	1701	37
9	1702	40
10	1126	11
11	1133	13
12	1129	14

Erp2015 Data:
 Efficiency η_{statA} = 59.3%
 Efficiency grade N_{actual} = 79.5, N_{target} = 62
 Test report No. : L-20210302 -005-007

产品型号 Model No.	电压 Voltage	频率 Frequency	转速 Speed	输入功率 Input Power	电流 Current	运行温度 Working temp.	认证 Approvals
	VAC	Hz	RPM	W	A	Min/Max (°C)	
EC72-B225-003	1~220/230	50/60	2850	120	1.00	-20/+60	CCC, CE