

EC 高静压后倾离心风机
B-Max

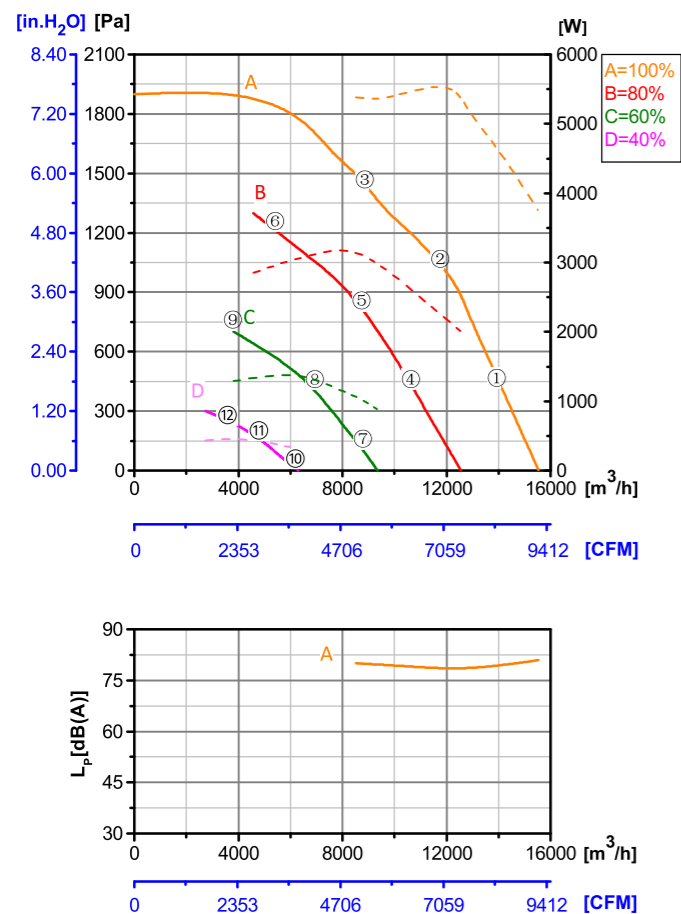
ErP2015
EXCEEDS THE NORM



Φ 450

转子材质 Rotor Material: 碳钢 Carbon steel
 风叶材质 Blade Material: 铝合金 Aluminum alloy sheet
 防护等级 Ingress Protection: IP55
 绝缘等级 Insulation Class: F
 轴承类型 Bearing Type: 免维护滚珠球轴承
 Maintenance free ball bearing

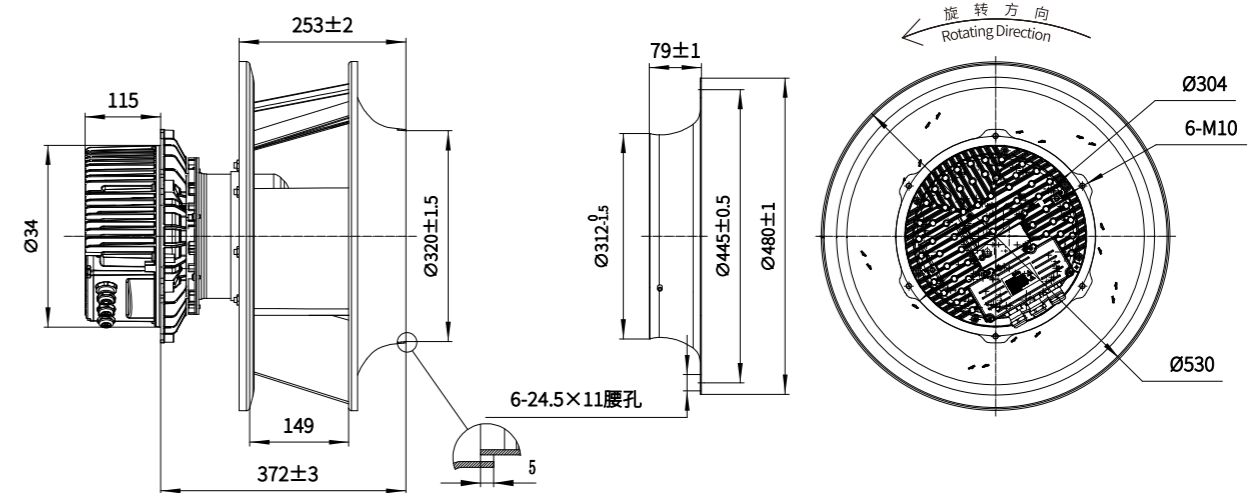
性能曲线 Performance Curves



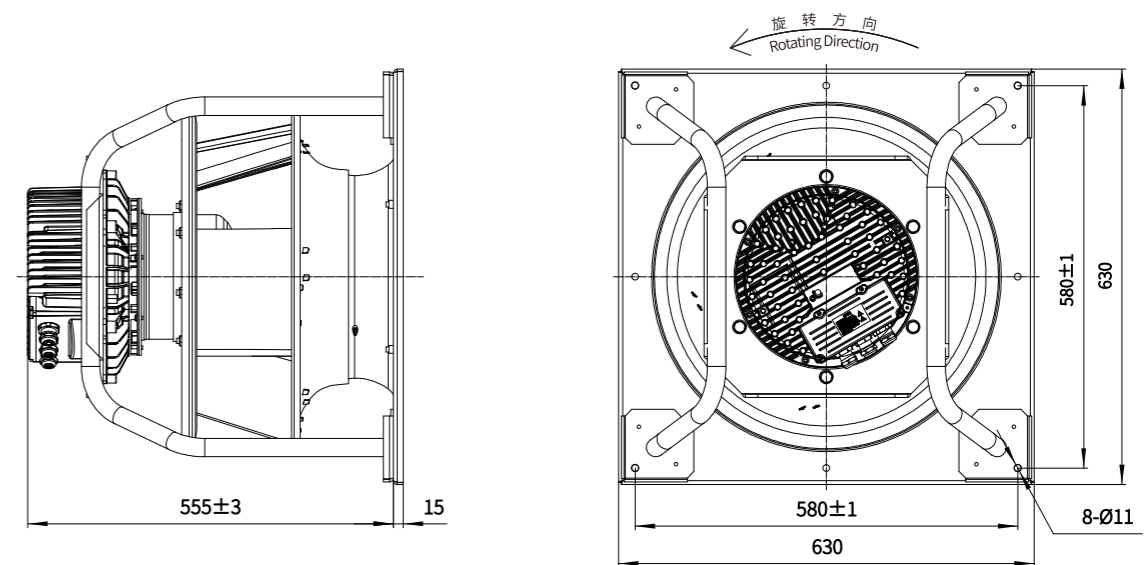
测试节点 Test Point	转速 Speed rpm	输入功率 Input Power W
1	2617	4543
2	2620	5547
3	2483	5355
4	2098	2569
5	2100	3102
6	2099	2985
7	1570	1014
8	1573	1312
9	1575	1295
10	1056	314
11	1055	446
12	1055	436

Erp2015 Data:
 Efficiency η_{statA} = 68.2%
 Efficiency grade N_{actual} = 70.8, N_{target} = 62
 Test report No. : L-20230130-002-A

后倾离心风机 Motorized Backward Curved Impeller



带支架 With Supporting Rack



产品型号 Model No.	电压 Voltage	频率 Frequency	转速 Speed	输入功率 Input Power	电流 Current	运行温度 Working Temp.	认证 Approvals
	VDC	Hz	RPM	W	A	Min/Max (°C)	
EC180-B450-C01	3~400	50/60	2600	3650	5.6	-25/+50	CCC,CE,UKCA