

EC 高静压后倾离心风机  
B-Max

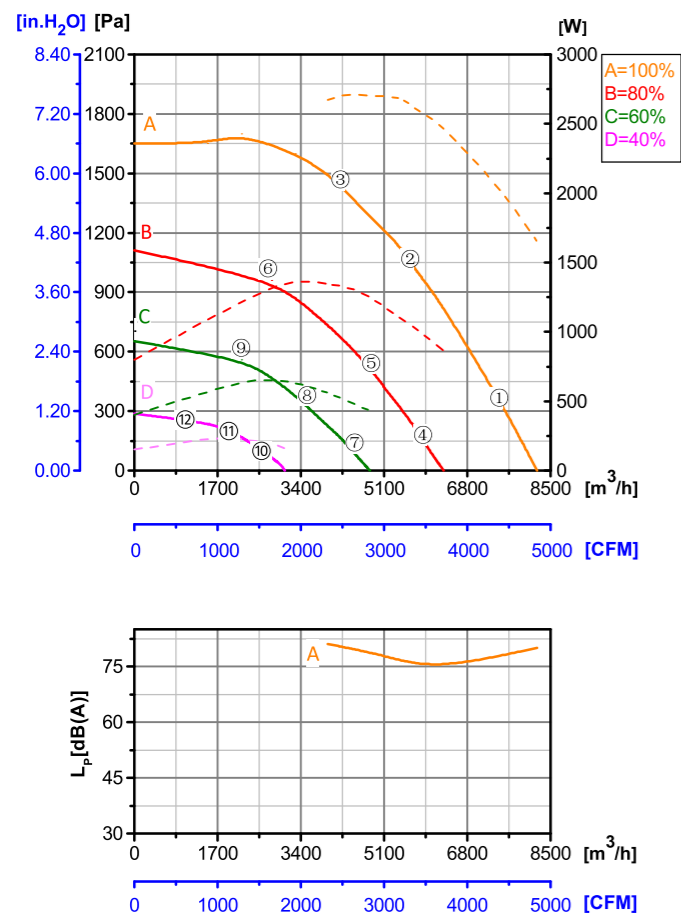
ErP2015  
EXCEEDS THE NORM



Φ 355

转子材质 Rotor Material: 碳钢 Carbon steel  
 风叶材质 Blade Material: 塑料 Plastic  
 防护等级 Ingress Protection: IP55  
 绝缘等级 Insulation Class: F  
 轴承类型 Bearing Type: 免维护滚珠球轴承  
 Maintenance free ball bearing

性能曲线 Performance Curves

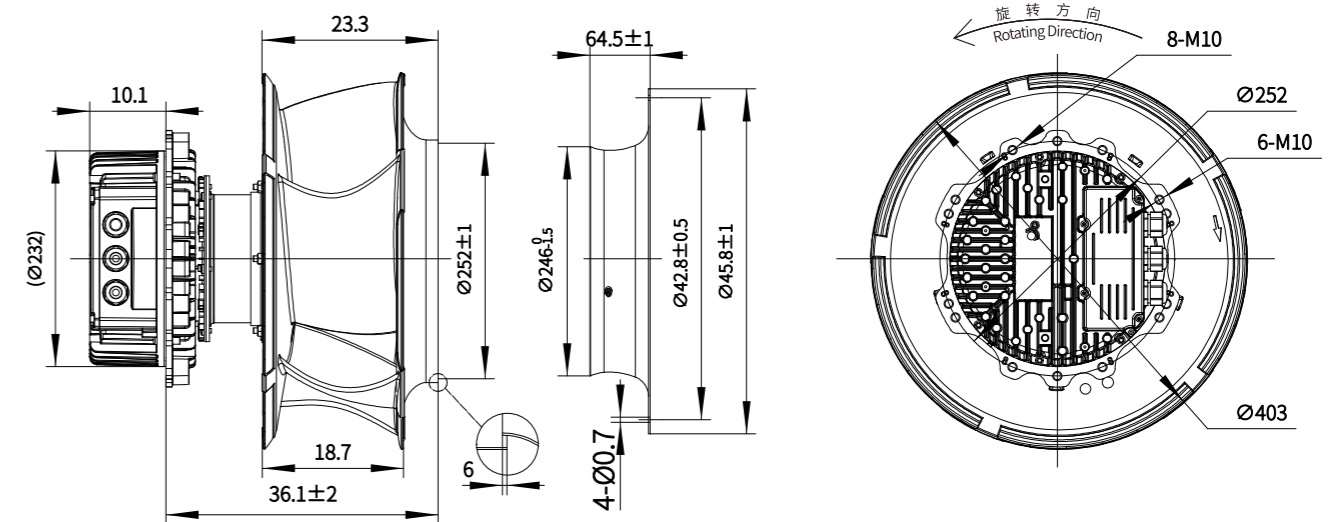


测试节点 Test Point	转速 Speed rpm	输入功率 Input Power W
1	3166	1981
2	3160	2593
3	3153	2720
4	2507	959
5	2505	1227
6	2497	1346
7	1910	475
8	1912	610
9	1911	652
10	1265	200
11	1264	228
12	1264	231

Erp2015 Data:  
 Efficiency  $\eta_{statA} = 67.1\%$   
 Efficiency grade  $N_{actual} = 73.1, N_{target} = 62$   
 Test report No. : L-20230723-001-A

产品型号 Model No.	电压 Voltage	频率 Frequency	转速 Speed	输入功率 Input Power	电流 Current	运行温度 Working Temp.	认证 Approvals
	VDC	Hz	RPM	W	A	Min/Max (°C)	
EC137-B355-C09	3~400	50/60	3150	1700	2.6	-25/+40	CCC,CE,UKCA

后倾离心风机 Motorized Backward Curved Impeller



带支架 With Supporting Rack

